

# KLIK

---



User manual

**arper**

**Islands for gathering. Constellations for activity.  
Kiik is created for the spaces between entry and departure, between waiting and doing. This modular collection of seating, tables, ottomans and consoles creates moments for working, gathering, or relaxation in graphic forms with myriad configurations.**

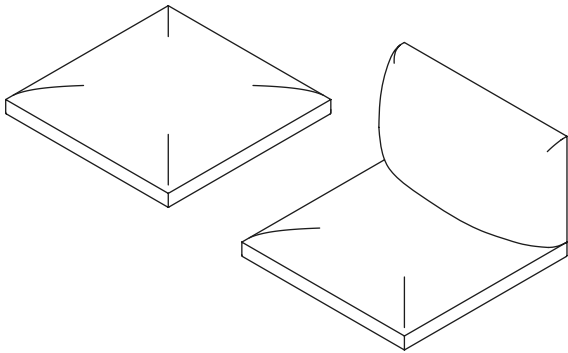
# INDICE

<b>— Overview</b>	<b>4</b>
<b>Frames</b>	<b>6</b>
<b>Seating modules</b>	<b>7</b>
<b>Table modules</b>	<b>8</b>
<b>Console</b>	<b>9</b>
<b>Ottoman</b>	<b>10</b>
<b>Link</b>	<b>11</b>
<b>— Arrangement instructions</b>	<b>12</b>
<b>Step 1 — Select the frame</b>	<b>14</b>
<b>Step 2 — Sofa arrangement</b>	<b>15</b>
<b>Step 3 — Connect the arrangements</b>	<b>19</b>
<b>Step 4 — Complete the layout</b>	<b>23</b>
<b>— Other options</b>	<b>28</b>

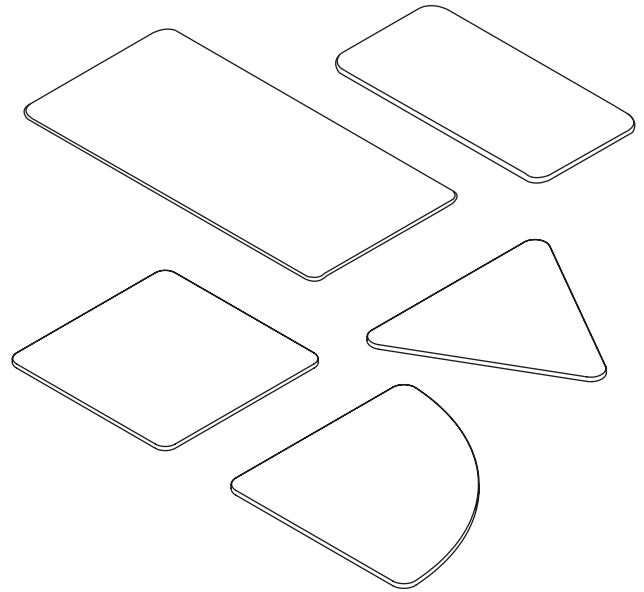
# OVERVIEW

---

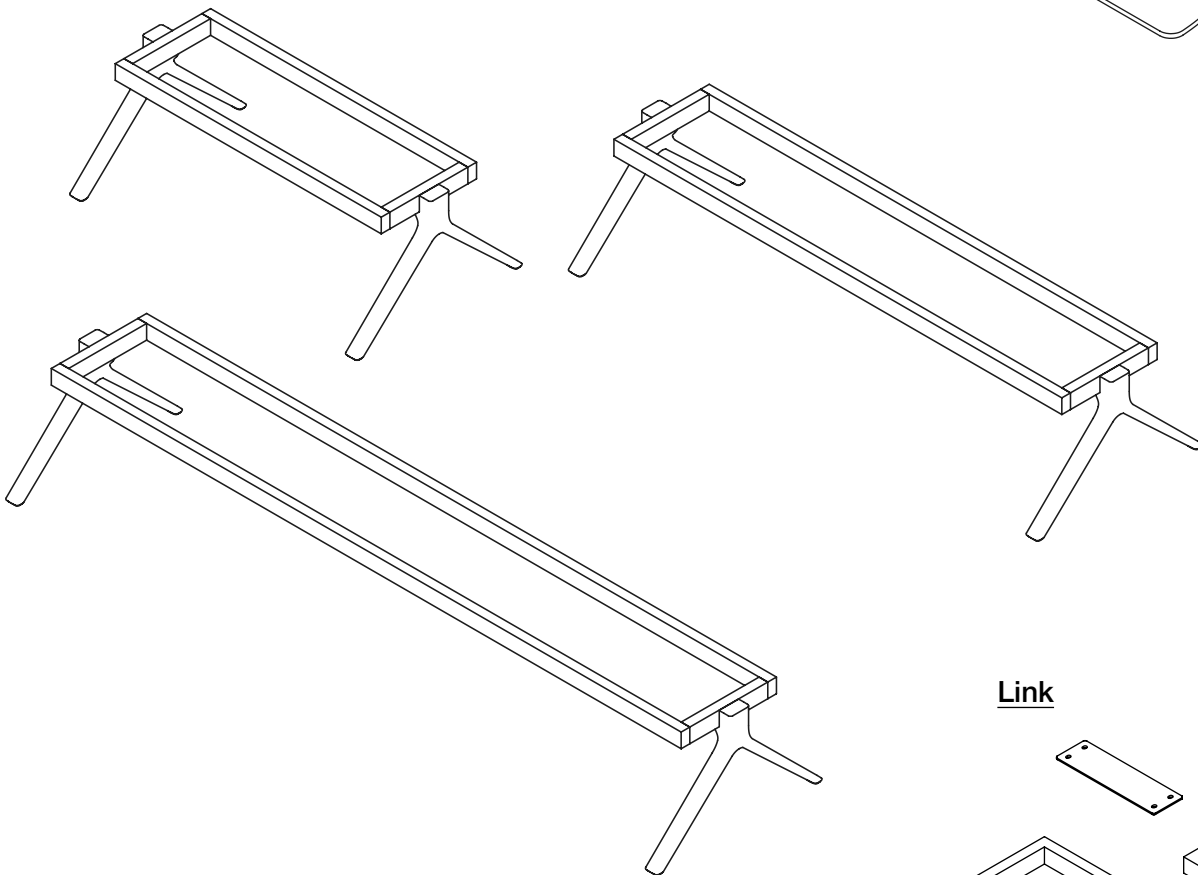
## Seating modules



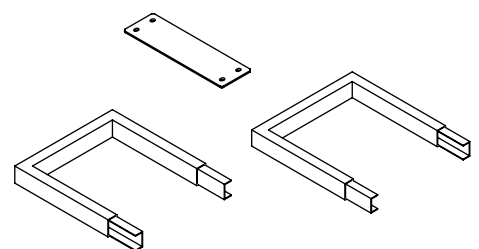
## Table modules



## Frames



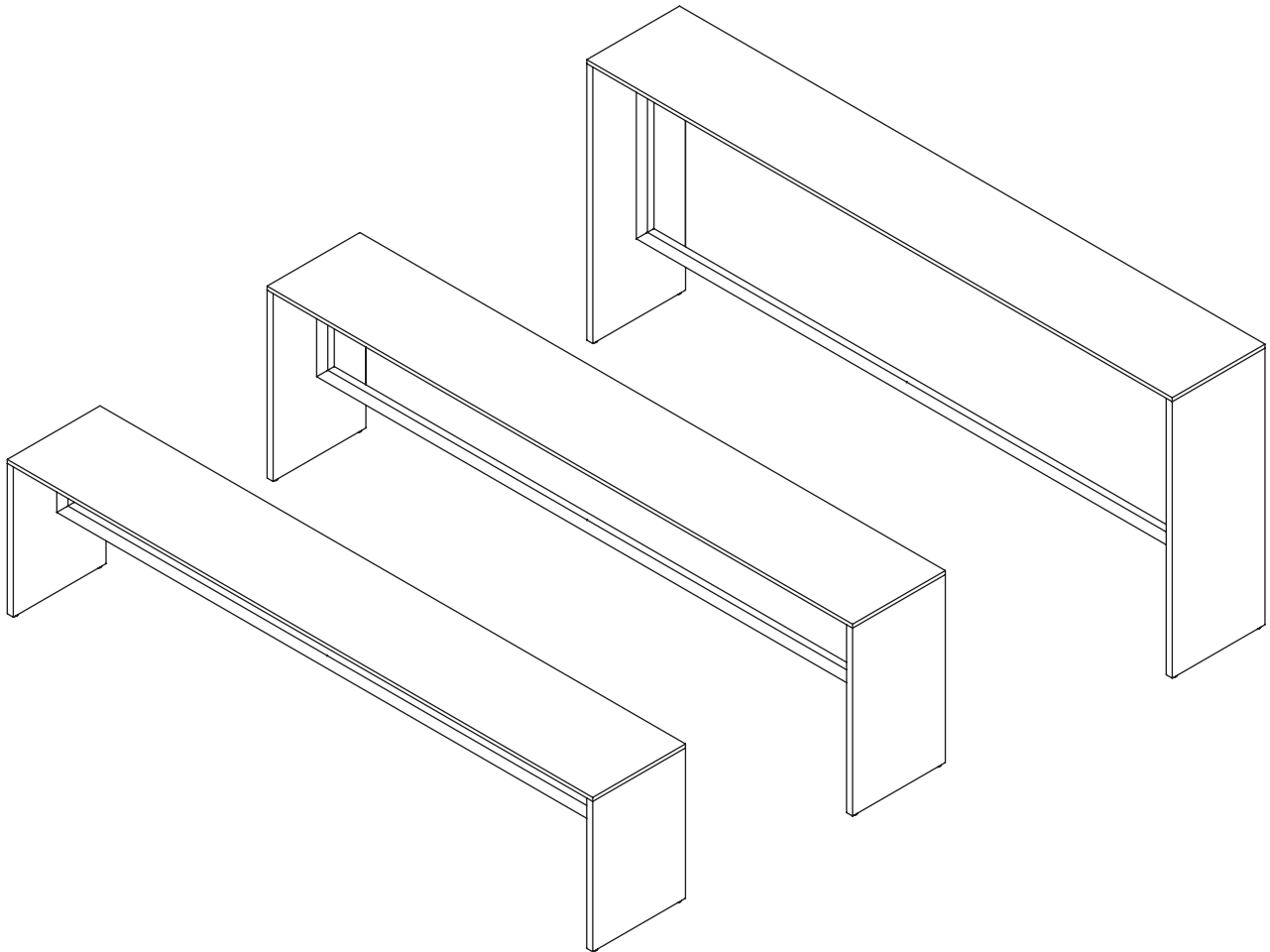
## Link



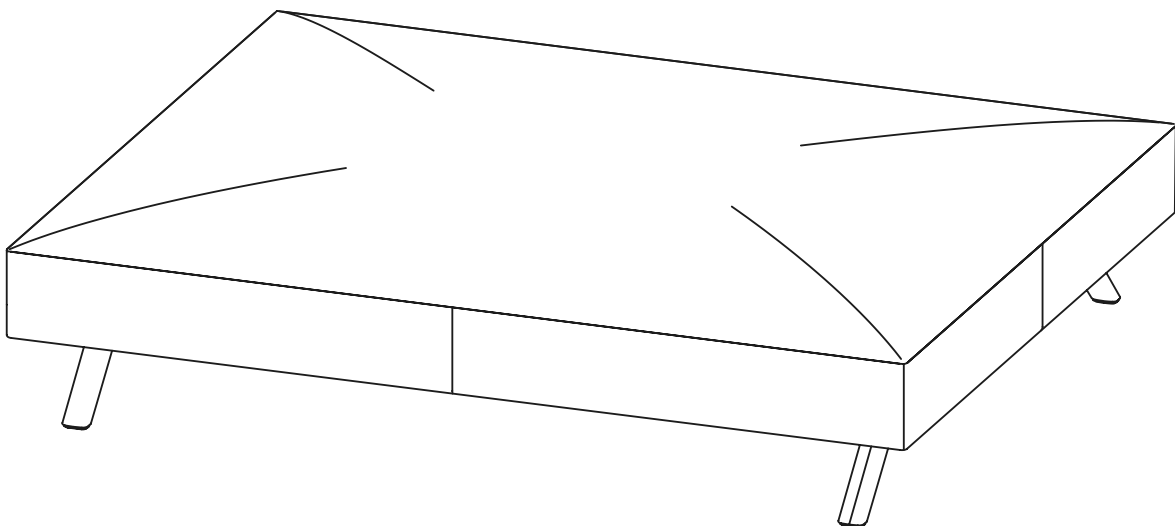
# OVERVIEW

---

## Console



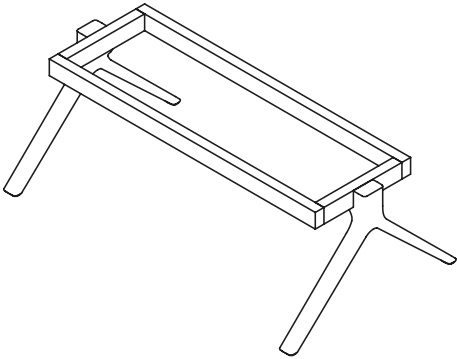
## Ottoman



**Frames**

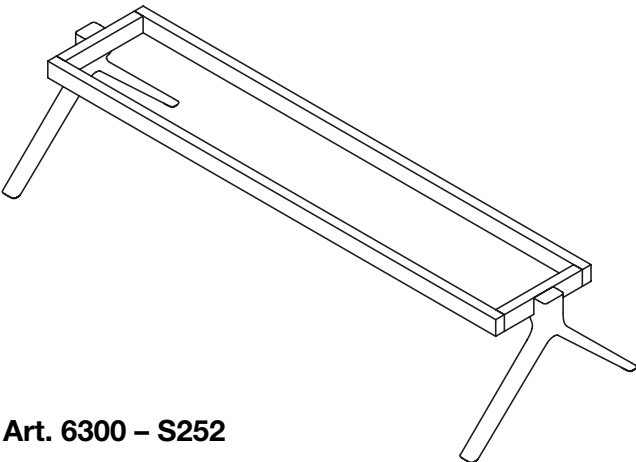
Frames composed by a black coated steel frame and a set of legs made of polished or black coated pressure die-cast aluminum. The frames are available in three dimensions to accommodate respectively two, three or four units that can be organized with pads or side tables.

**Art. 6302 – S126**



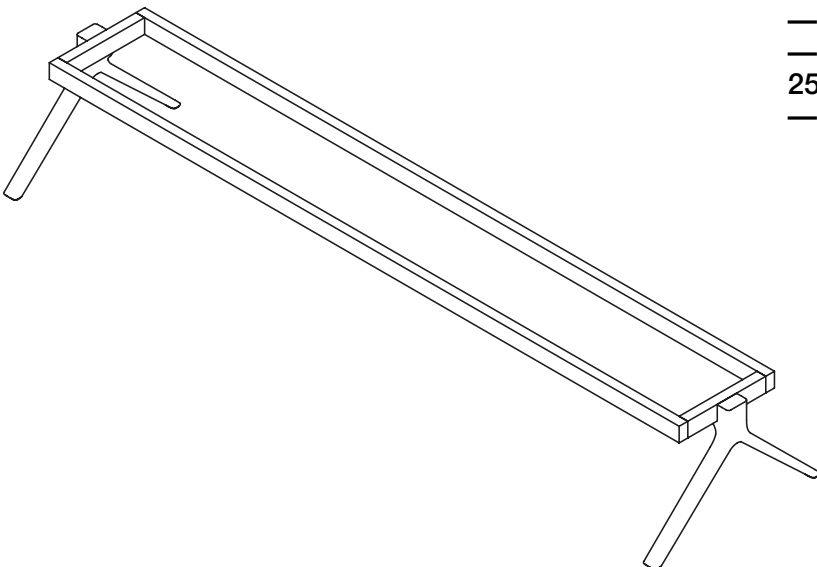
- Dimensions: 92,6 x 33 x 35 cm
- Dimensions of the assembled product: 126 x 63 cm
- It accomodates 2 units

**Art. 6301 – S189**



- Dimensions: 155,6 x 33 x 35 cm
- Dimensions of the assembled product: 189 x 63 cm
- It accomodates 3 units

**Art. 6300 – S252**

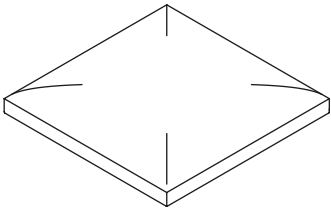


- Dimensions: 218,6 x 33 x 35 cm
- Dimensions of the assembled product: 252 x 63 cm
- It accomodates 4 units

**Seating modules**

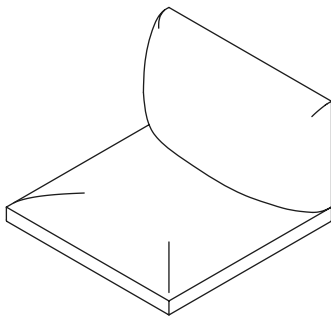
One-seat modules to be hooked to the frames. Available in two versions: only pad and pad with backrest. Both versions are upholstered with fabric, leather, faux leather, or customer's fabric or leather removable cover.

**Art. 6303 – Cushion**



- Dimensions: 63 x 63 x 10 cm
- Fills 1 unit

**Art. 6304 – Cushion with backrest**

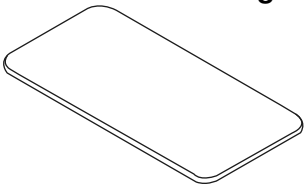


- Dimensions: 63 x 63 x 40 cm
- Fills 1 unit

**Table modules**

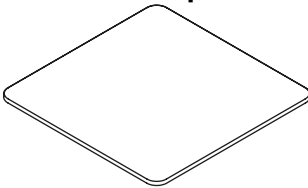
Side tables available in 5 shapes and sizes. Square and rectangular shape side tables can be positioned on the frames as a replacement to pads modules. The 31.5 x 63 cm rectangular side table can be positioned overhanging with respect to the frames by means of a special support link. The triangular and quarter round side tables work as joints for two or more arrangements, allowing for L-shaped and linear modules (120° and 90°). All side tables are available in black oak or natural oak effect laminate finish; they can be powered with the Bachmann Pix accessory - USB version.

**Art. 6310 – Rectangular table 31,5x63 cm**



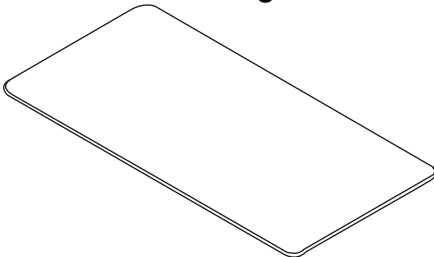
- Dimensions: 31,5 x 63 cm
- Thickness: 1,4 cm
- It takes 0,5 unit

**Art. 6309 – Square table**



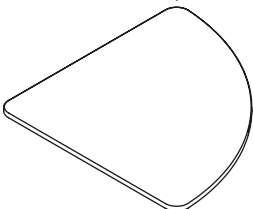
- Dimensions: 63 x 63 cm
- Thickness: 1,4 cm
- It takes 1 unit

**Art. 6308 – Rectangular table 31,5 x 63 cm**



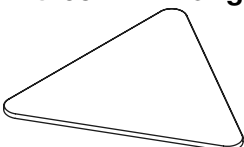
- Dimensions: 126 x 63 cm
- Thickness: 1,4 cm
- It takes 2 units

**Art. 6311 – Quarter round table**



- Dimensions: 63 x 63 cm
- Thickness: 1,4 cm
- For 90° compositions

**Art. 6312 – Triangular table**



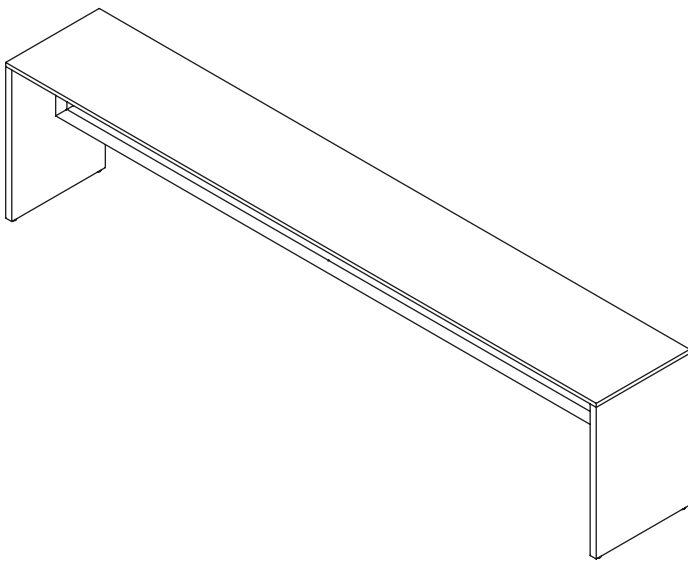
- Dimensions: 63 x 63 x 63 cm
- Thickness: 1,4 cm
- For 120° compositions



**Console**

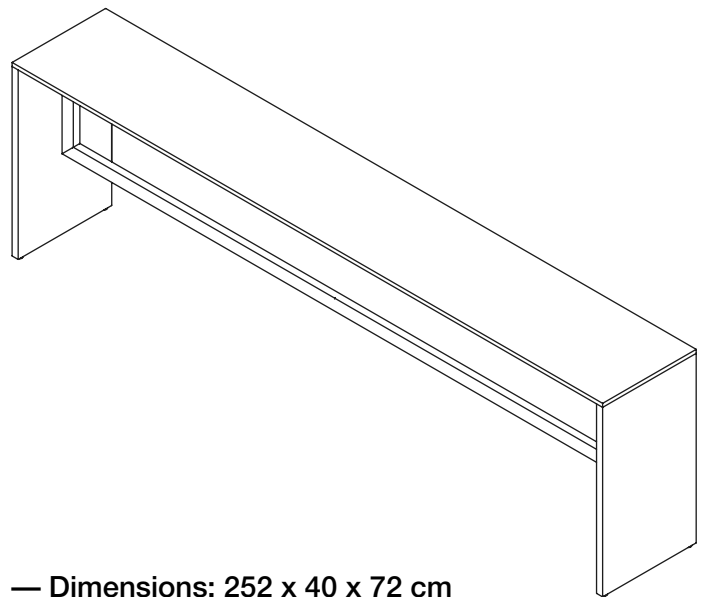
Consoles available in three heights: 58, 72 and 105 cm in black oak or natural oak effect laminate finish. The consoles can be powered with two Bachmann Pix accessories - USB version.

**Art. 6305 – Console h 58 cm**



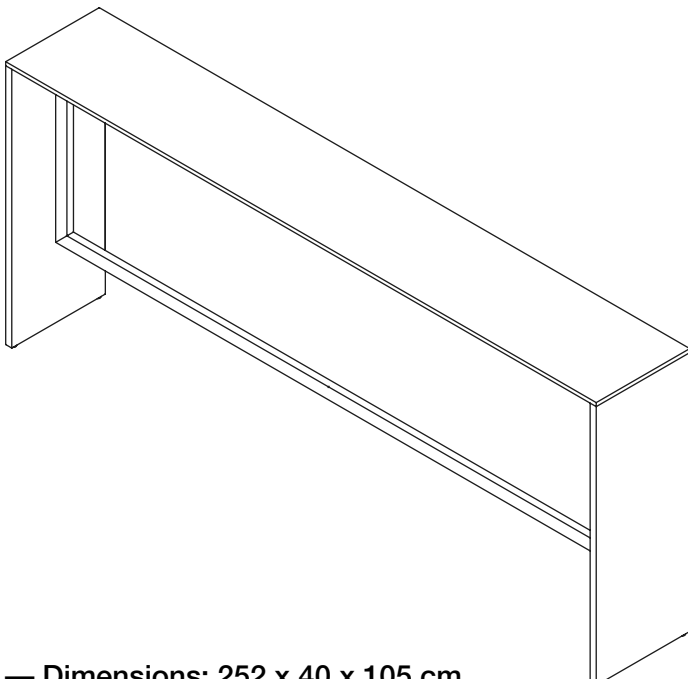
— Dimensions: 252 x 40 x 58 cm

**Art. 6306 – Console h 72 cm**



— Dimensions: 252 x 40 x 72 cm

**Art. 6307 – Console h 105 cm**

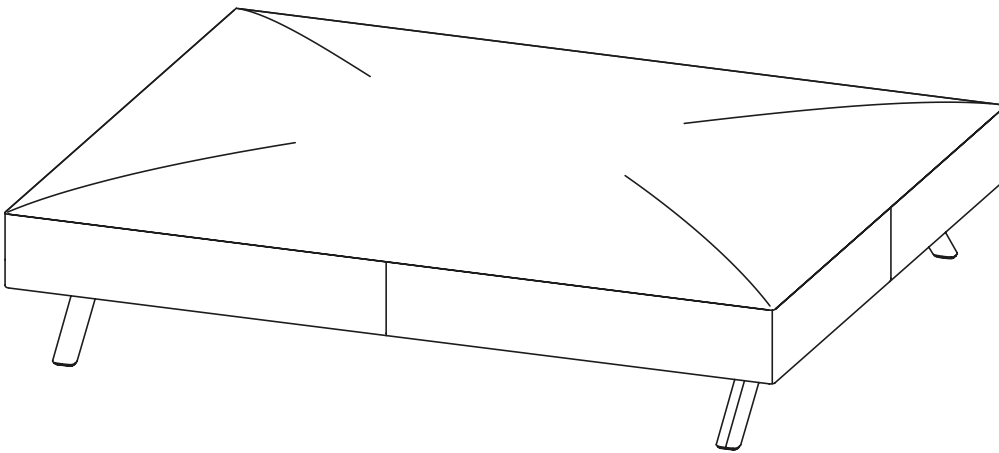


— Dimensions: 252 x 40 x 105 cm

**Ottoman**

Ottoman composed by a set of four legs made of polished or black coated pressure die-cast aluminum, with a wide upholstered seat with fabric, leather, faux leather, or customer's fabric or leather removable cover.

**Art. 6313 – Ottoman**



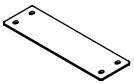
— Dimensions: 126 x 157,5 x 36 cm

Link

Useful links to create arrangements and anchor some elements. The Plate link can be used to connect two sofas or to anchor a triangular side table between two or three sofas in a linear (120°) arrangement. The C link can be used to anchor a 31,5 x 63 cm rectangular side table overhanging from a frame or to support a quarter round side table between two sofas in a L-shaped (90°) arrangement. The Island link can be used for special arrangements that require putting two frames one next to the other (S189 or S252) and a final arrangement with four or six pads and four quarter round side tables.

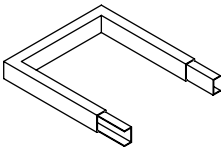
**Art. 6316 – Plate link**

— Dimensions: 26,6 x 8 cm



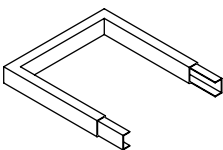
**Art. 6314 – C-shaped link**

— Dimensions: 31 x 33 x 5 cm



**Art. 6315 – Island link**

— Dimensions: 33,4 x 36 x 5 cm



# ARRANGEMENT

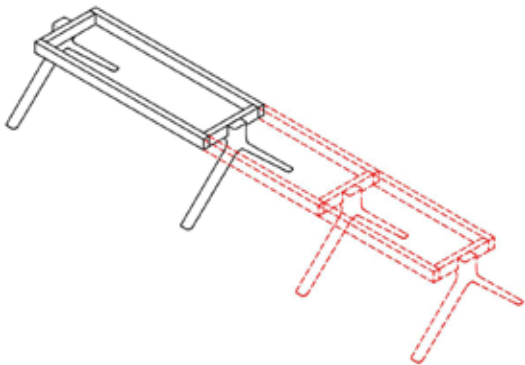
---

# INSTRUCTIONS

---

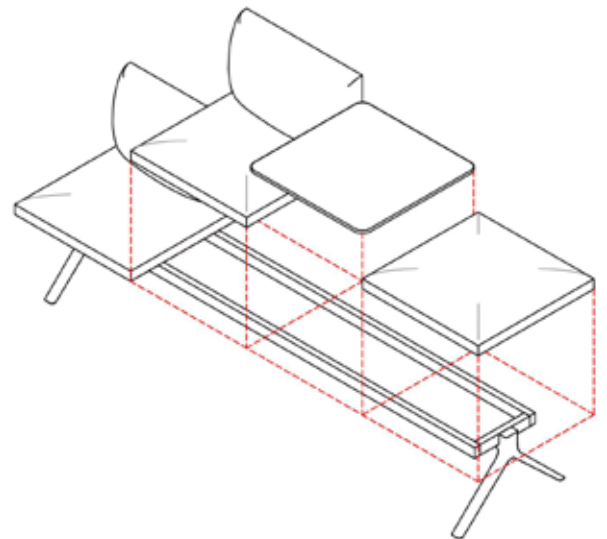
## **STEP 1 / 4**

— Select the frame



## **STEP 2 / 4**

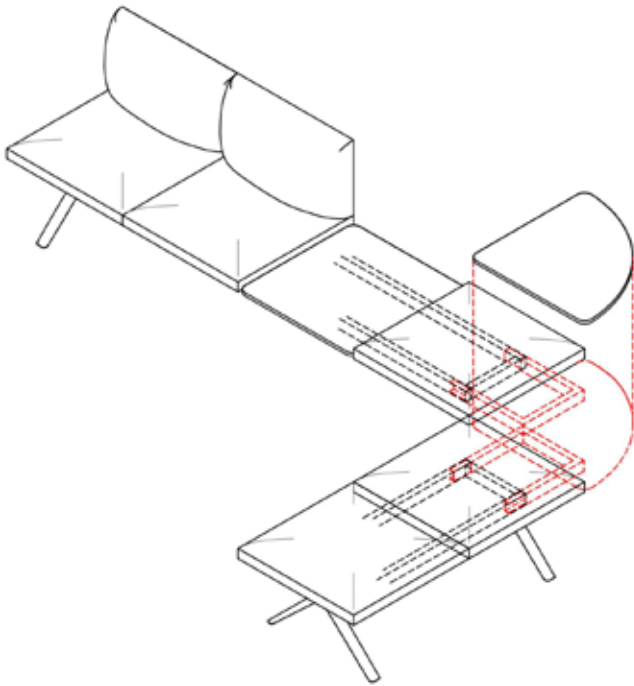
— Sofa arrangement



**Arrangement instructions**

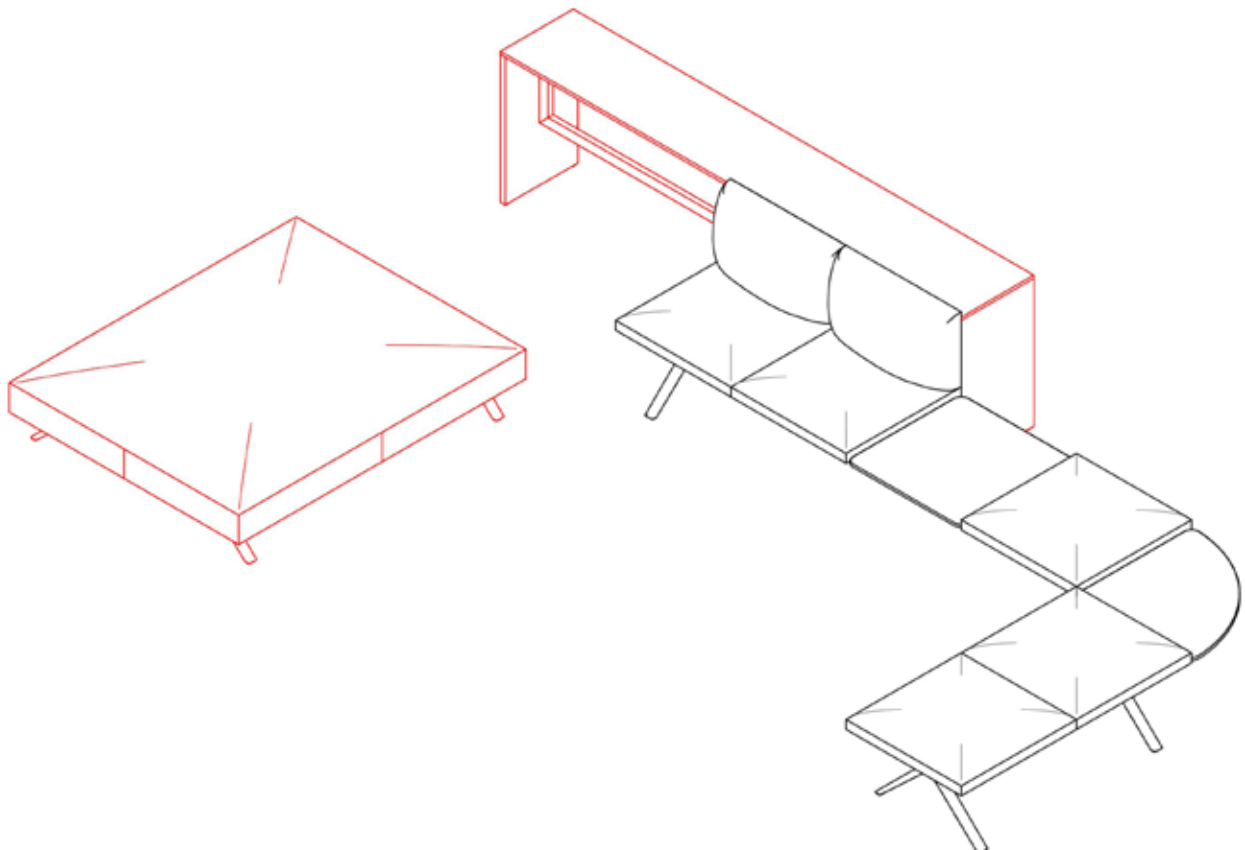
**STEP 3 / 4**

— Connect the arrangements



**STEP 4 / 4**

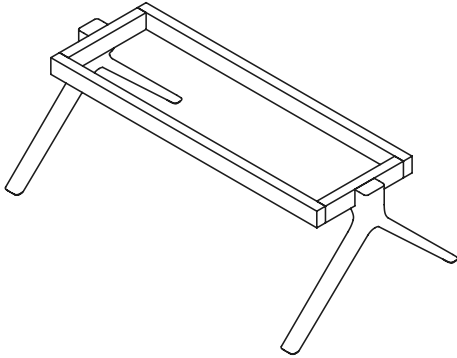
— Complete the layout



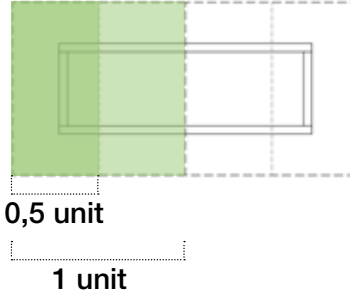
**STEP 1 / 4 — Select the frame**

Choose one of the available frames (S126, S189 or S252) that can accommodate respectively two, three or four units.

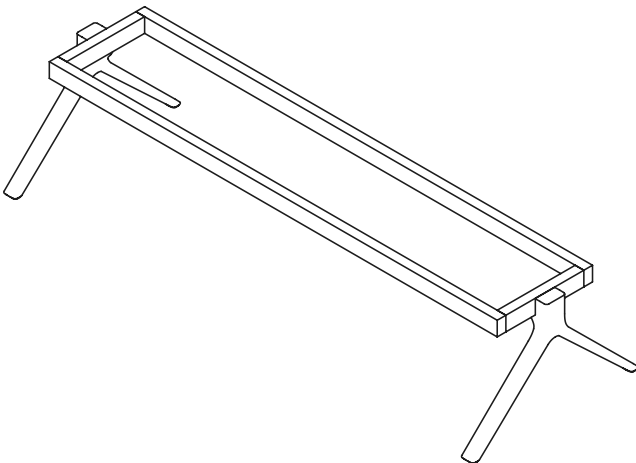
**Art. 6302 – S126**



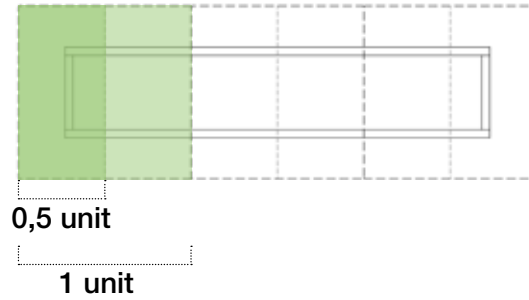
**It accommodates 2 units**



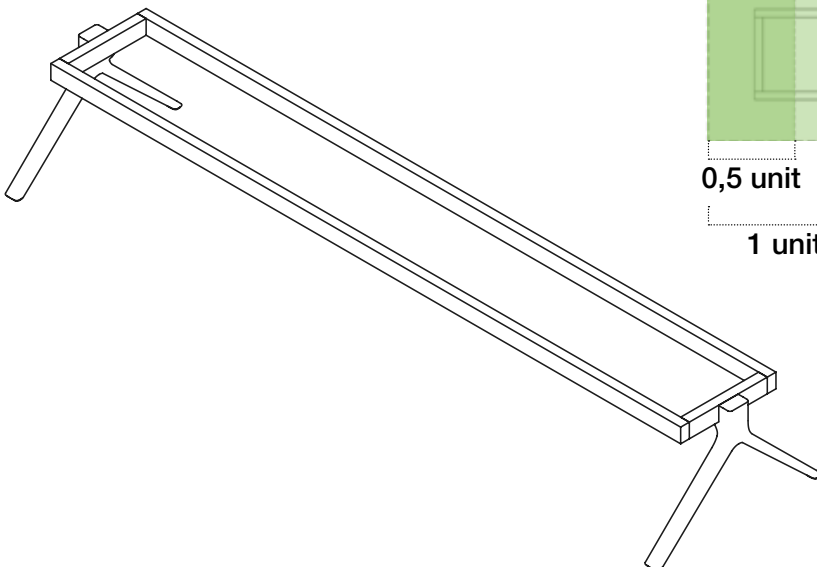
**Art. 6301 – S189**



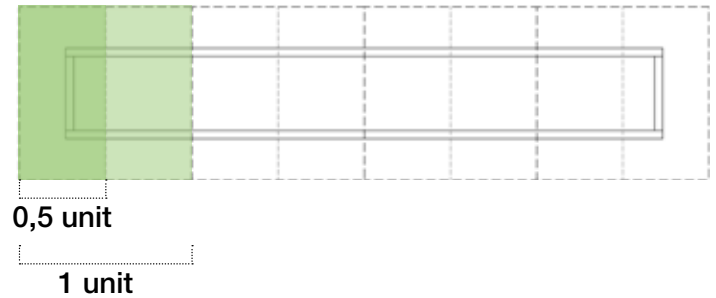
**It accommodates 3 units**



**Art. 6300 – S252**



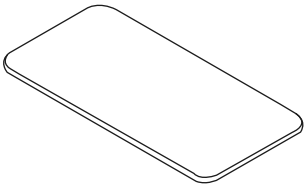
**It accommodates 4 units**



**STEP 2 / 4 — Comporre il divano**

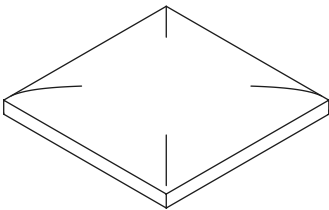
Choose the elements to be arranged in the units available on the selected frame.

**0,5 unit**

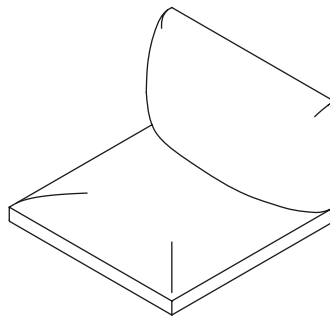


**Art. 6310**

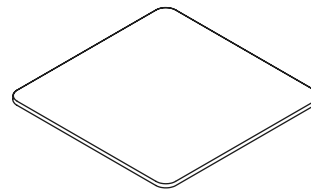
**1 unit**



**Art. 6303**

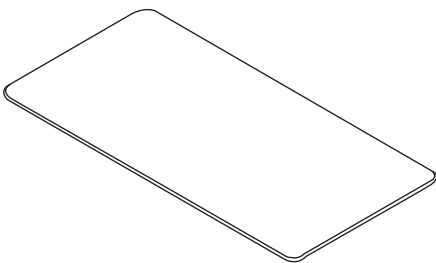


**Art. 6304**



**Art. 6309**

**2 units**



**Art. 6308**

Configuration examples:

**Using S126 - Art. 6302**



— Art. 6303 - Cushion (x2)



— Art. 6304 - Cushion with backrest (x2)



— Art. 6303 - Cushion (x1)  
— Art. 6304 - Cushion with backrest (x1)



— Art. 6308 - Rectangular table  
126 x 63 (x1)



Configuration examples:

Using S189 - Art. 6301



— Art. 6303 - Cushion (x3)



— Art. 6304 - Cushion with backrest (x3)



— Art. 6303 - Cushion (x1)  
— Art. 6304 - Cushion with backrest (x2)



— Art. 6303 - Cushion (x2)  
— Art. 6309 - Square table  
63 x 63 cm (x1)

Configuration examples:

Using S252 - Art. 6300



— Art. 6303 - Cushion (x4)



— Art. 6304 - Cushion with backrest (x4)



— Art. 6303 - Cushion (x2)  
— Art. 6304 - Cushion with backrest (x2)



— Art. 6303 - Cushion (x1)  
— Art. 6304 - Cushion with backrest (x2)  
— Art. 6310 - Square table  
31,5 x 63 (x2)



— Art. 6303 - Cushion (x1)  
— Art. 6304 - Cushion with backrest (x2)  
— Art. 6309 - Square table 63 x 63 (x1)

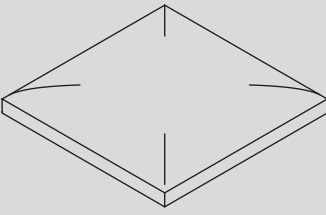
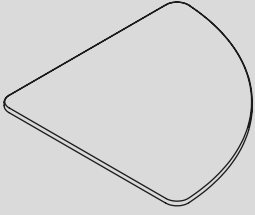

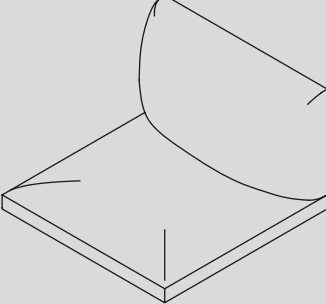
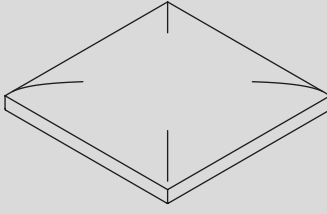
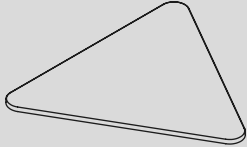
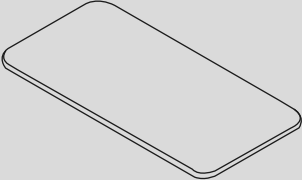
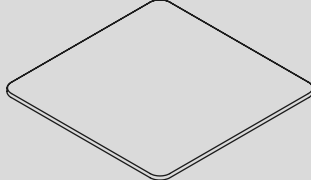
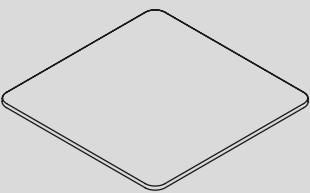
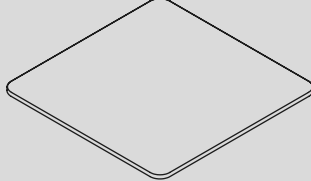


— Art. 6303 - Cushion (x2)  
— Art. 6308 - Rectangular table  
126 x 63 (x1)

**STEP 3 / 4 — Connect the arrangements**

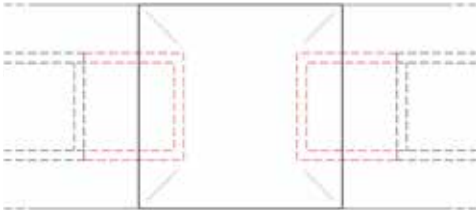
Connect the arranged frames to create linear or angular arrangements (90° and 120°).

Configuration examples:

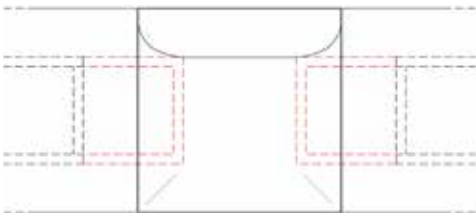
<u>Linear</u>	<u>90°</u>	<u>120°</u>
<p data-bbox="151 577 279 616"><b>Art. 6303</b></p> 	<p data-bbox="582 481 662 519"><b>a "L"</b></p> <p data-bbox="630 577 758 616"><b>Art. 6311</b></p> 	<p data-bbox="1045 481 1125 519"><b>a "V"</b></p> <p data-bbox="1149 577 1276 616"><b>Art. 6312</b></p> 
<p data-bbox="151 907 279 945"><b>Art. 6304</b></p> 	<p data-bbox="582 952 662 990"><b>a "T"</b></p> <p data-bbox="646 1048 774 1086"><b>Art. 6303</b></p> 	<p data-bbox="1045 952 1125 990"><b>a "Y"</b></p> <p data-bbox="1149 1048 1276 1086"><b>Art. 6312</b></p> 
<p data-bbox="151 1332 279 1370"><b>Art. 6310</b></p> 	<p data-bbox="638 1377 766 1415"><b>Art. 6309</b></p> 	
<p data-bbox="151 1624 279 1662"><b>Art. 6309</b></p> 	<p data-bbox="582 1713 662 1751"><b>a "X"</b></p> <p data-bbox="638 1818 766 1856"><b>Art. 6309</b></p> 	

Connection examples:

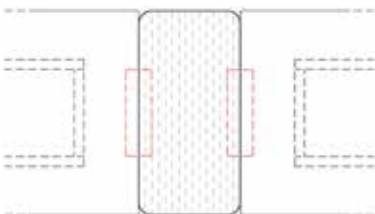
**Linear**



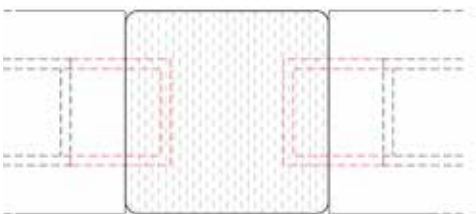
- Art. 6303 - Cushion (x1)
- Art. 6314 - C-shaped link (x2)



- Art. 6304 - Cushion (x1)
- Art. 6314 - C-shaped link (x2)



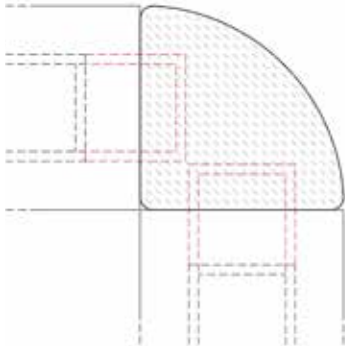
- Art. 6308 - Rectangular table  
31,5 x 63 cm (x1)
- Art. 6316 - Plate link (x2)



- Art. 6309 - Rectangular table  
63 x 63 cm (x1)
- Art. 6314 - C-shaped link (x2)

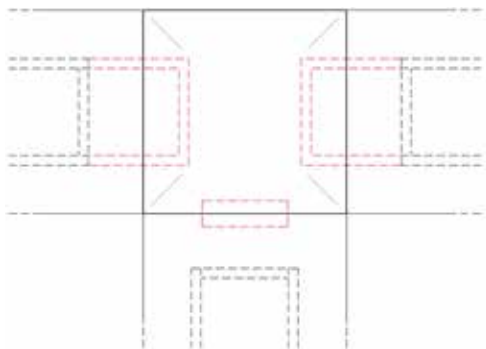
Connection examples:

**90°**



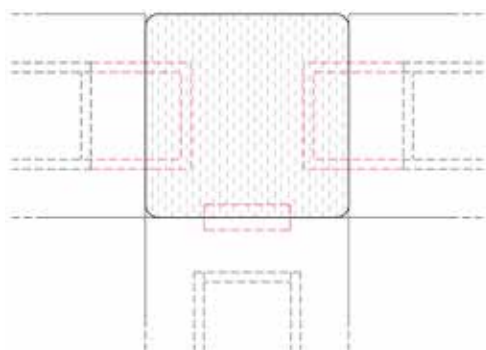
a "L"

- Art. 6311 - Quarter round table  
63 63 cm (x1)
- Art. 6314 - C-shaped link (x2)



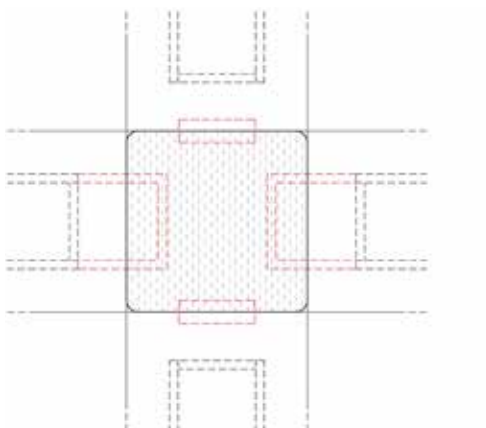
a "T"

- Art. 6303 - Cushion (x1)
- Art. 6314 - C-shaped link (x2)
- Art. 6316 - Plate link (x1)



a "T"

- Art. 6309 - Square table  
63 63 cm (x1)
- Art. 6314 - C-shaped link (x2)
- Art. 6316 - Plate link (x1)

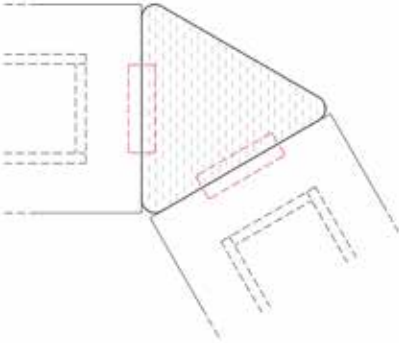


a "X"

- Art. 6309 - Square table  
63 63 cm (x1)
- Art. 6314 - C-shaped link (x2)
- Art. 6316 - Plate link (x2)

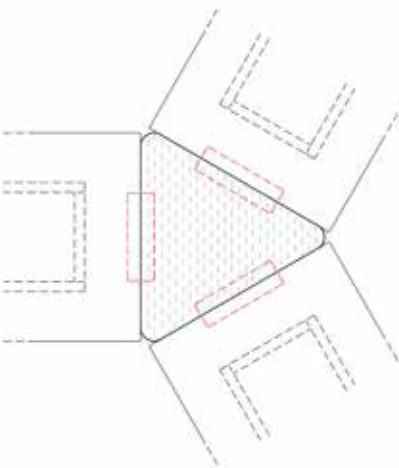
Connection examples:

120°



a "V"

- Art. 6312 - Triangular table  
63 x 63 x 63 cm (x1)
- Art. 6316 - Plate link (x2)



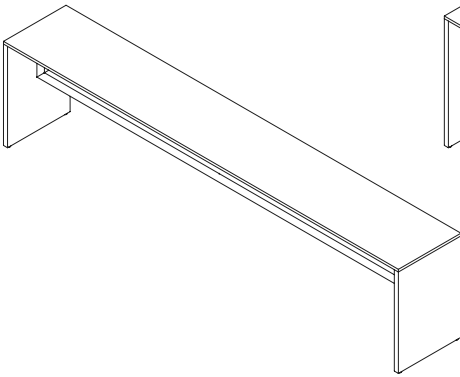
a "Y"

- Art. 6312 - Triangular table  
63 x 63 x 63 cm (x1)
- Art. 6316 - Plate link (x3)

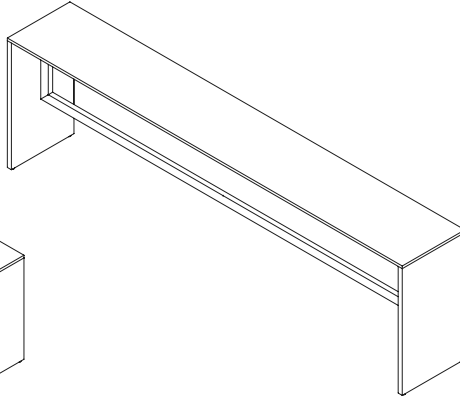
**STEP 4 / 4 — Complete the layout**

Complete the layout with free-standing elements such as the consoles and the ottoman.

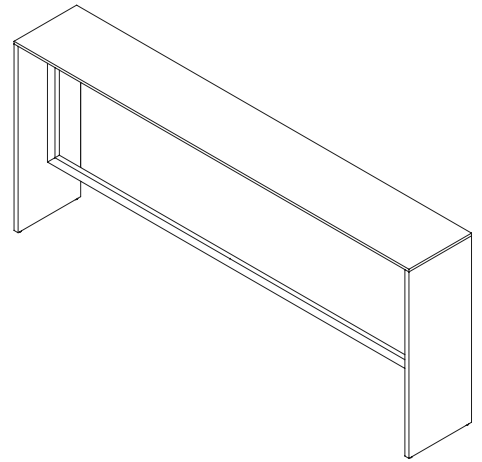
**Art. 6305**



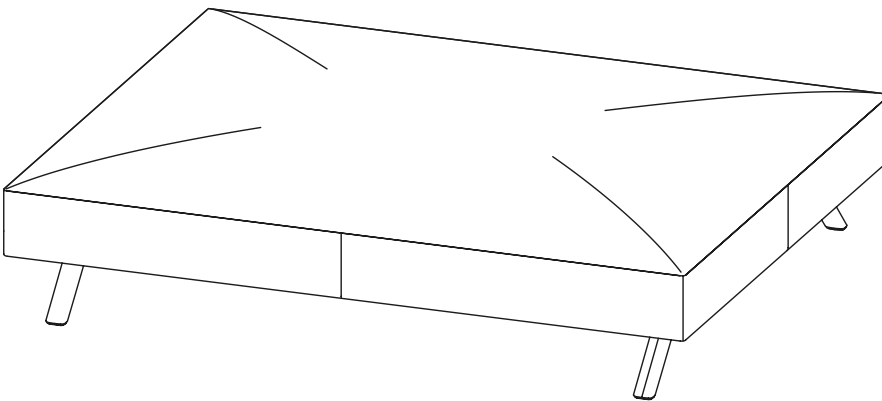
**Art. 6306**



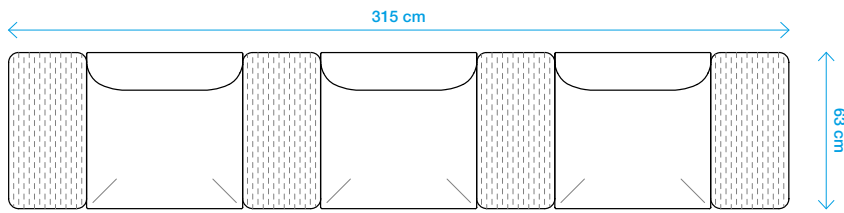
**Art. 6307**



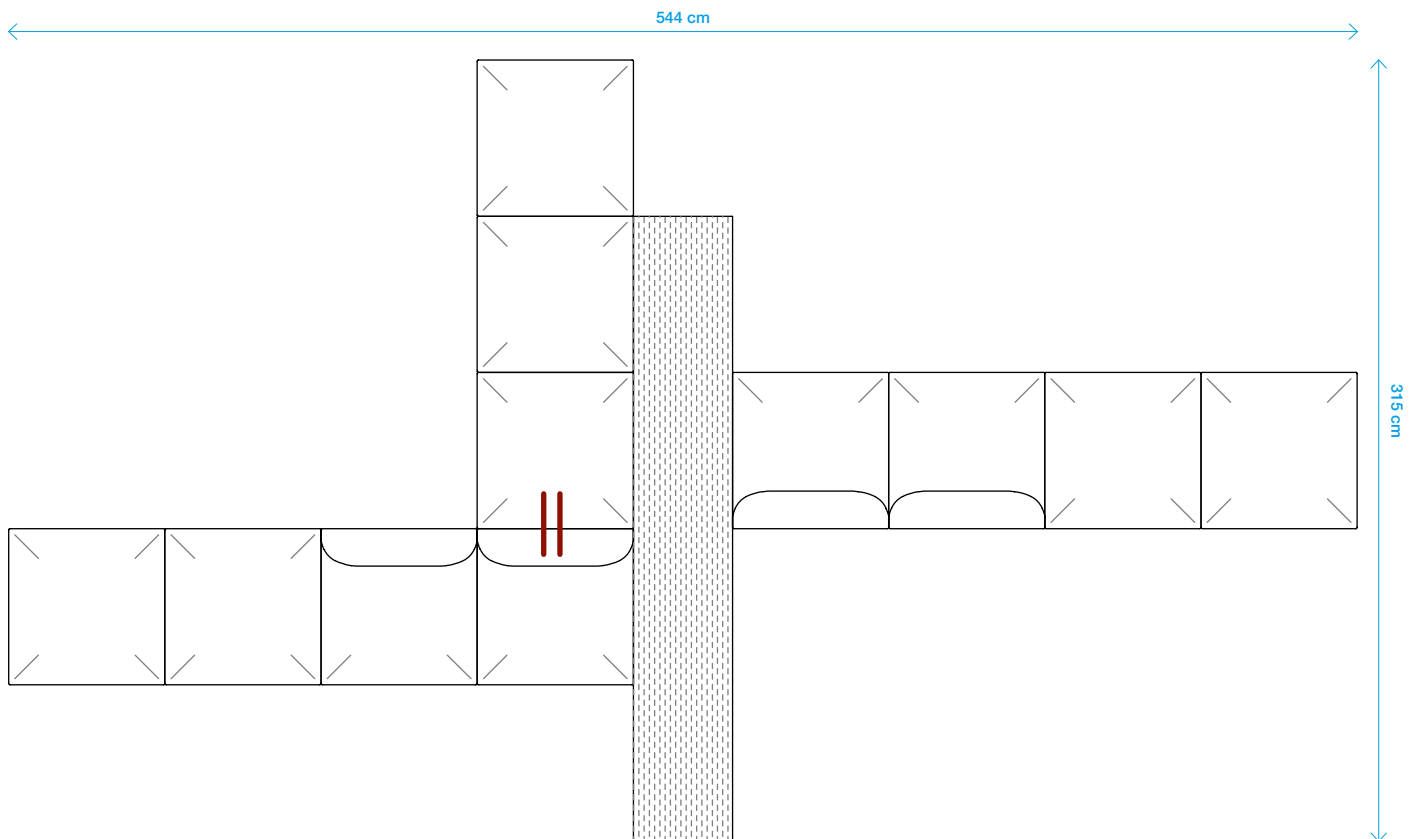
**Art. 6313**



Layout examples:



- 1 x Art. 6300 – Frame S252
- 3 x Art. 6304 – Cushion with backrest
- 4x Art. 6310 – Rectangular table 31,5 x 63 cm
- 2 x Art. 6314 – C-shaped link



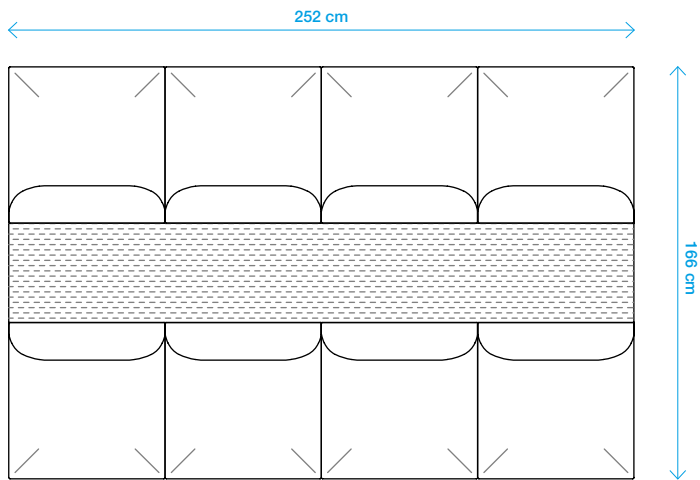
- 2 x Art. 6300 – Frame S252
- 1 x Art. 6301 – Frame S189
- 7 x Art. 6303 – Cushion
- 4 x Art. 6304 – Cushion with backrest
- 1 x Art. 6305 – Console h 58 cm
- 1 x Art. 6316 – Plate link

|| Connected elements

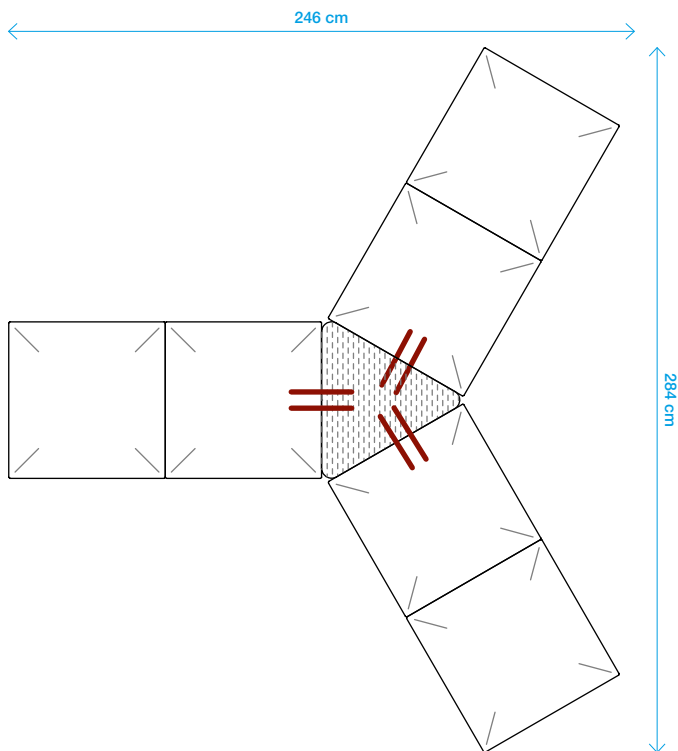
The other elements are arranged one next the other



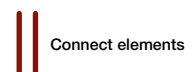
**Layout examples:**



- 2 x Art. 6300 – Frame S252
- 8 x Art. 6304 – Cushion with backrest
- 1 x Art. 6306 – Console h 72 cm



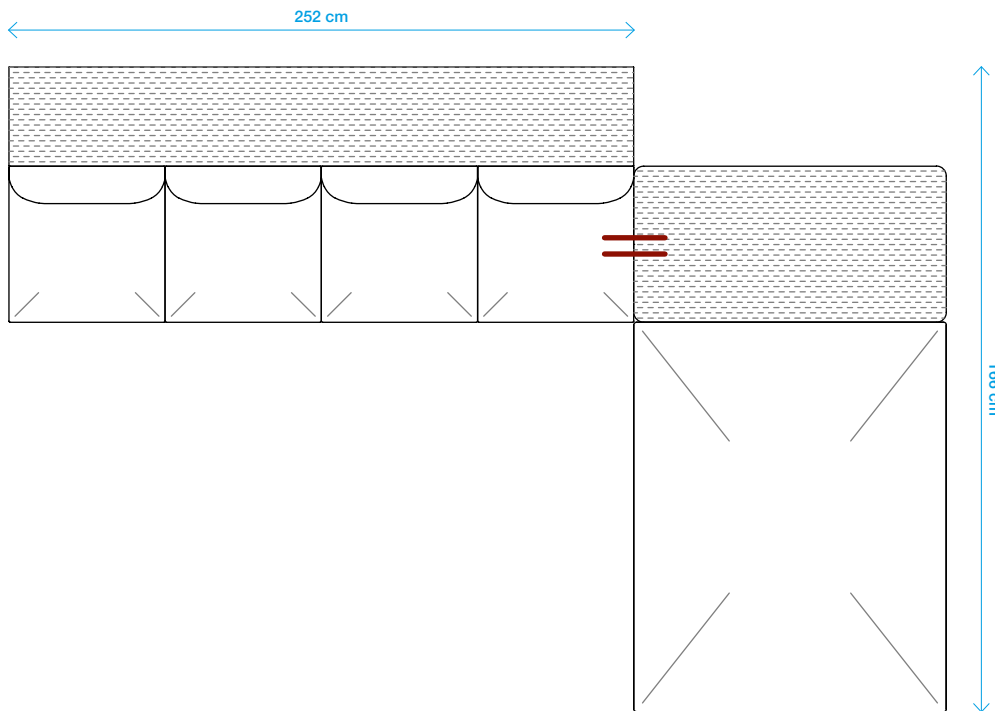
- 3 x Art. 6302 – Frame S126
- 6 x Art. 6303 – Cushion
- 1 x Art. 6312 – Triangular table 63 x 63 x 63 cm
- 3 x Art. 6316 – Plate link



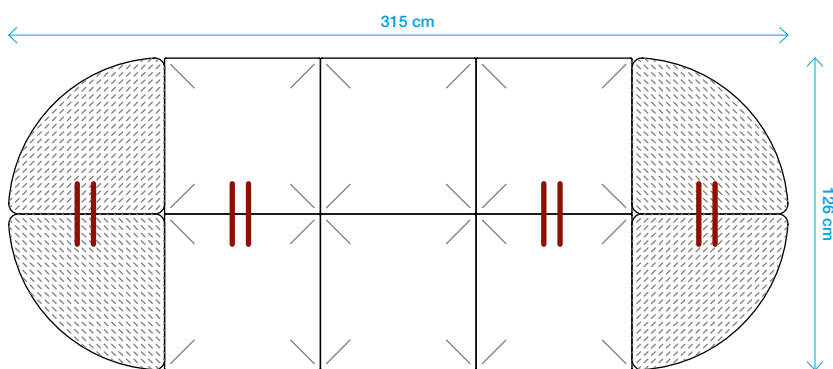
Connect elements

The other elements are arranged one next the other

**Layout examples:**



- 1 x Art. 6300 – Frame S252
- 1 x Art. 6302 – Frame S126
- 4 x Art. 6304 – Cushion with backrest
- 1 x Art. 6310 – Rectangular table 126 x 63 cm
- 1 x Art. 6307 – Console h 105 cm
- 1 x Art. 6313 – Ottoman



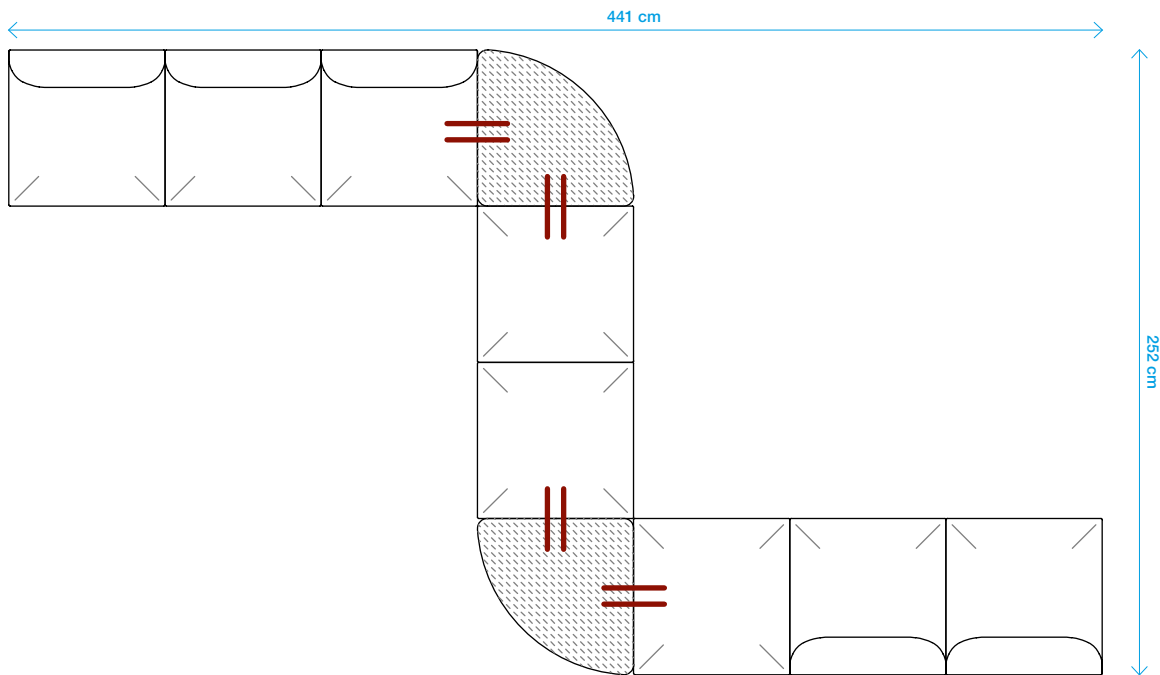
- 2 x Art. 6300 – Frame S252
- 6 x Art. 6303 – Cushion
- 4 x Art. 6311 – Quarter round table 63 x 63 cm
- 2 x Art. 6315 – Island link
- 2 x Art. 6316 – Plate link



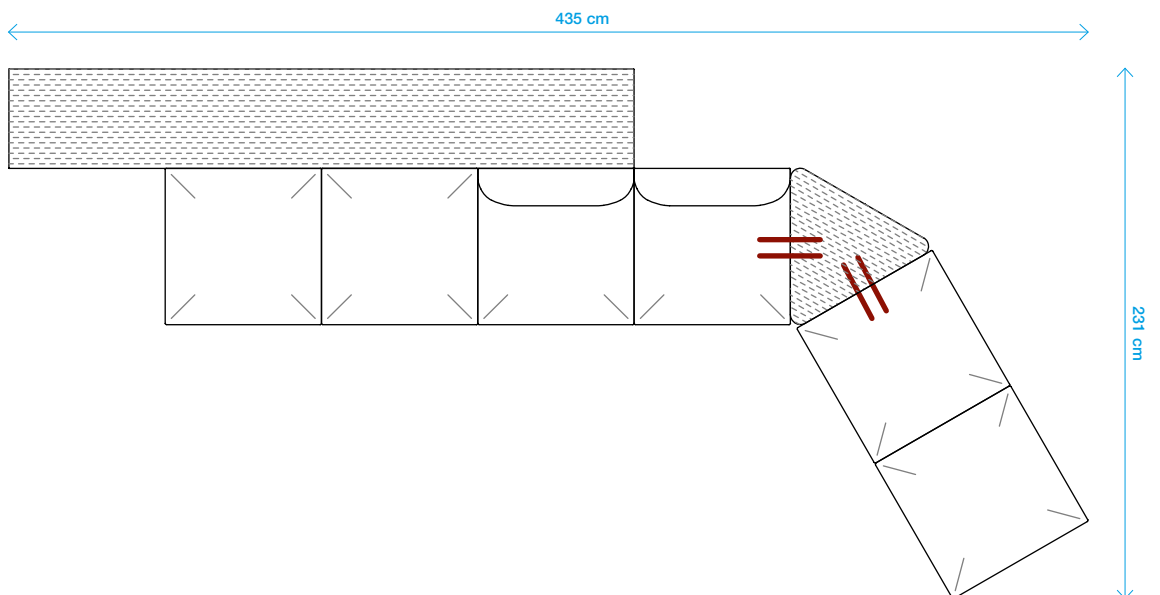
Connected elements

The other elements are arranged one next the other

Layout examples:



- 2 x Art. 6301 – Frame S189
- 1 x Art. 6302 – Frame S126
- 3 x Art. 6303 – Cushion
- 5 x Art. 6304 – Cushion with backrest
- 2 x Art. 6311 – Quarter round table 63 x 63 cm
- 4 x Art. 6314 – C-shaped link



- 1 x Art. 6300 – Frame S252
- 1 x Art. 6302 – Frame S126
- 4 x Art. 6303 – Cushion
- 2 x Art. 6304 – Cushion with backrest
- 1 x Art. 6312 – Triangular table 63 x 63 x 63 cm
- 2 x Art. 6316 – Plate link
- 1 x Art. 6305 – Console h 58 cm

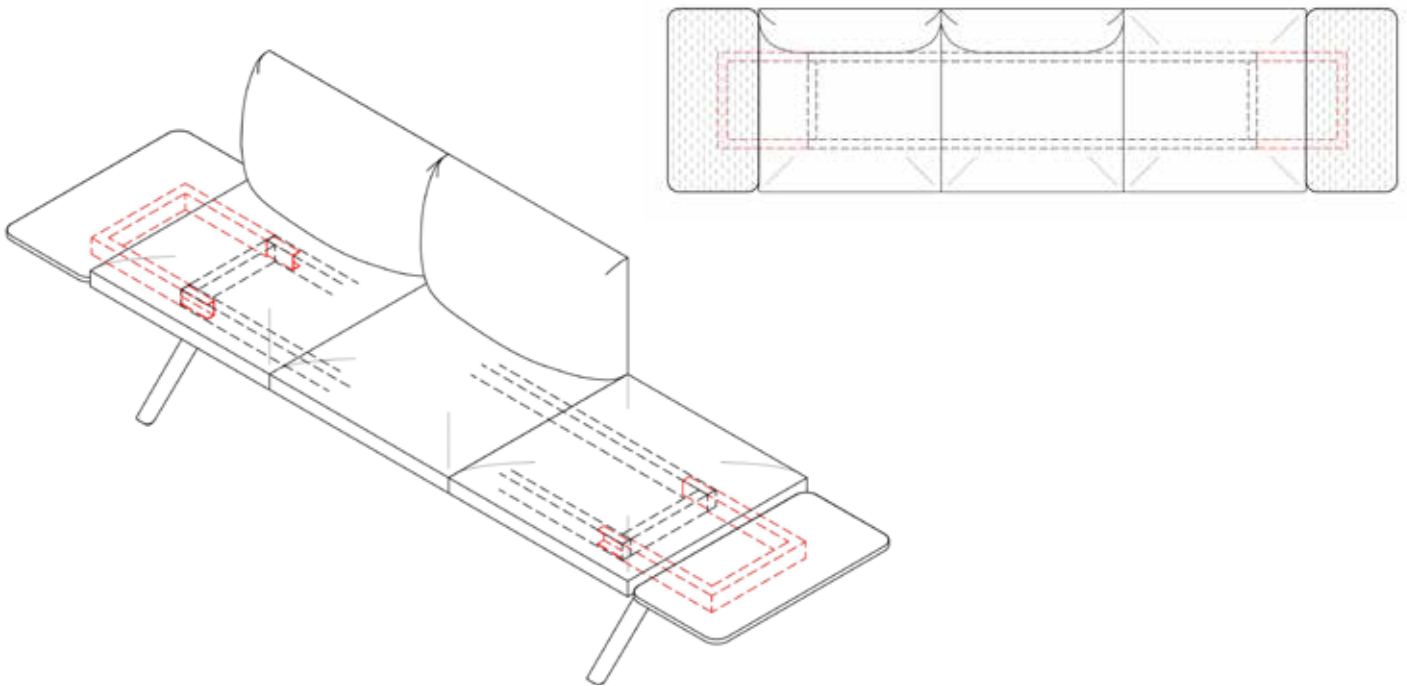
||| Connected elements

The other elements are arranged one next the other

# OTHER OPTIONS

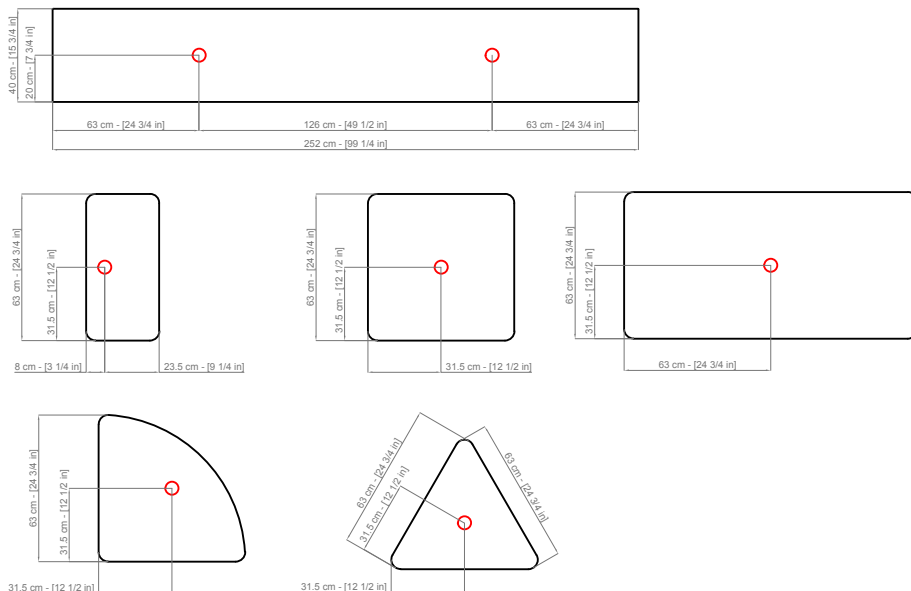
## OVERHANGING TABLE MODULES

31,5 x 63 cm rectangular tables (Art. 6310) can be mounted overhanging with respect to the frames by means of a C-shaped link (Art. 6314).



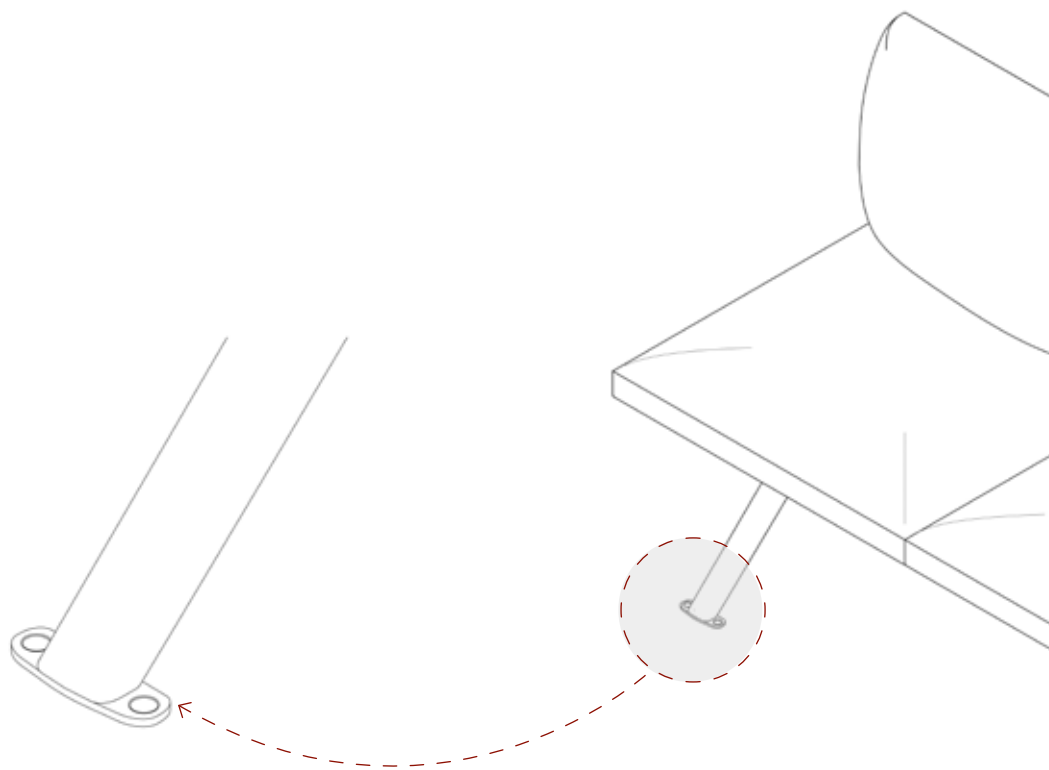
## CONSOLE WITH SOCKETS AND SIDE TABLE MODULES

Consoles and side tables can be powered with Bachmann Pix accessories – USB version, two in the consoles and one in the side tables (Art. 6322).



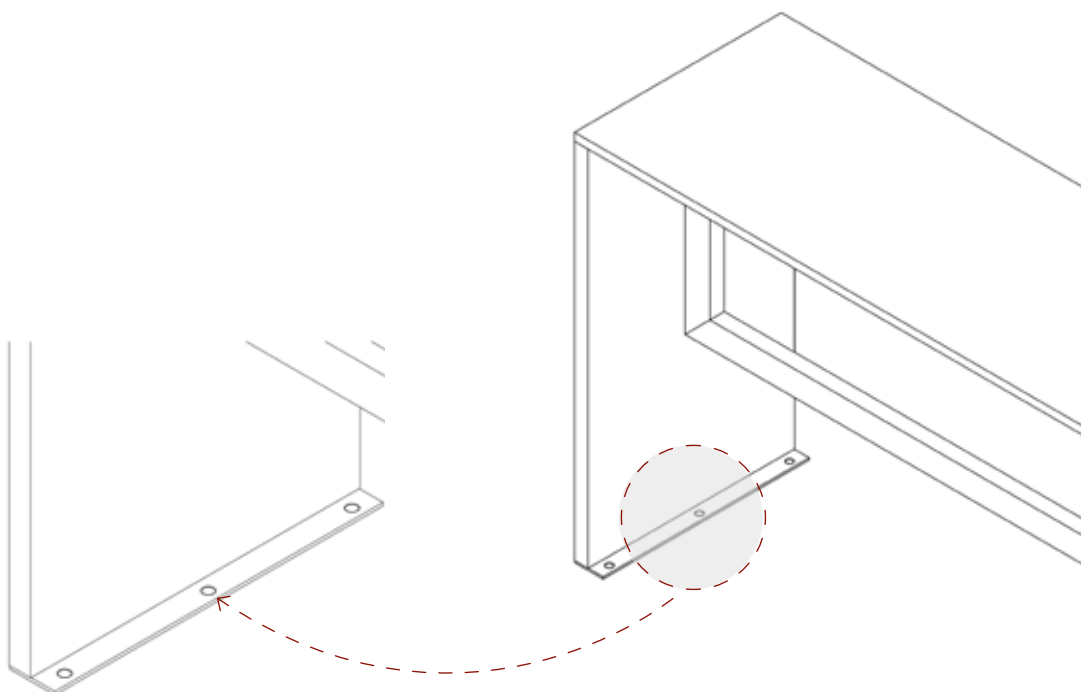
**FLOOR FIXING KIT FOR SOFA AND OTTOMAN FRAMES**

Sofa and ottoman frames legs can be fixed to the floor by means of a specific accessory (Art. 6320).



**FLOOR FIXING KIT FOR CONSOLE**

Consoles of any heights can be fixed to the floor by means of a specific accessory (Art. 6321).



## Italy

ArFor SPA  
Via Lombardia 16  
31050 Monastier di Treviso (TV)  
Italia  
T +39 0422 7918  
F +39 0422 791800  
info@arFor.com  
www.arFor.com

Commerciale Italia  
T +39 0422 791905  
F +39 0422 791900  
commerciale@arFor.com

Export Office  
T +39 0422 791 907 / 902 / 904 / 905 / 906 /  
909 / 914 / 916 / 917 / 927 / 815 / 872  
F +39 0422 791900  
sales@arFor.com

## Subsidiaries and Branches

### USA

ArFor USA Inc.  
476 Broadway, Suite 2F  
NY 10013 New York  
T +1 (212) 647 8900  
infousa@arFor.com

### UK

ArFor UK LTD  
11 Clerkenwell Road  
London EC1M 5PA  
T +44 (0) 20 7253 0009  
london@arFor.com

### Japan

ArFor Japan K.K.  
HT Jingu Gaien Bldg.8F  
Minato-ku Kita-Aoyama 2-7-22  
Tokyo 107-0061  
T +81-3-5775-0008  
F +81-3-5775-0009  
carejpn@arFor.com

### UAE

ArFor Middle East  
U-Bora Towers - Unit 1901  
Business Bay  
Dubai  
T +971 509144800  
infome@arFor.com

### Singapore

ArFor SPA  
c/o 46 Kim Yam Road, #01-09  
The Herencia 239351  
Singapore  
T +65 98348127  
singapore@arFor.com

### Sweden

Stockholm — Sweden  
Banérgatan 10  
Stockholm  
T +46 733 889090  
sweden@arFor.com

## Showrooms

Amsterdam — The Netherlands  
Design Post  
Cruquiusweg 111-P  
1019 AG Amsterdam  
T +31 (0)20 705 1555  
showroom@beltane.nl

Chicago — USA  
The Merchandise Mart  
Space#339 - 3rd Floor  
Chicago  
T +1 (212) 647 8900 x1  
infousa@arFor.com

Cologne — Germany  
Design Post Köln  
Deutz-Mülheimer-Str. 22a  
50679 Cologne  
T +49 221 690 650  
info@designpost.de

Dubai — UAE  
U-Bora Towers - Unit 1901  
Business Bay  
Dubai  
T +971 509144800  
infome@arFor.com

London — UK  
11 Clerkenwell Road  
London EC1M 5PA  
T +44 (0) 20 7253 0009  
london@arFor.com

Milan — Italy  
Via Pantano 30  
20122 Milan  
T +39 02 89093865  
milano@arFor.com

Monastier — Italy  
ArFor SPA  
Via Lombardia 16  
31050 Monastier di Treviso (TV)  
Italia  
T +39 0422 7918  
F +39 0422 791800  
info@arFor.com

New York — USA  
476 Broadway, Suite 2F  
PO Box 1683  
NY 10013 New York  
T +1 (212) 647 8900  
infousa@arFor.com

Oslo — Norway  
Drammensveien 130  
0277 Oslo  
M +46 705 101216  
norway@arFor.com

Stockholm — Sweden  
Banérgatan 10  
Stockholm  
T +46 733 889090  
sweden@arFor.com

Tokyo — Japan  
HT Jingu Gaien Bldg.8F  
Minato-ku Kita-Aoyama 2-7-22  
Tokyo 107-0061  
T +81-3-5775-0008  
carejpn@arFor.com

## Meeting Hubs

### Belgium

Sint-Jorisstraat 82,  
8730 Beernem  
T +32 50 705960  
belgium@arFor.com

### Germany

Fruchtof München  
2. Innenhof, 2. Etage  
Gotzinger Straße 52b  
D-81371 München  
T +49 171 5548178  
muenchen@arFor.com