

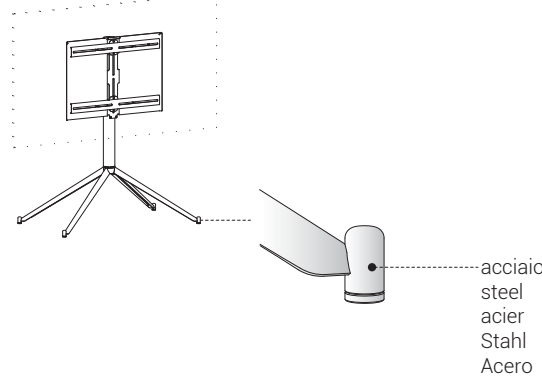
# APOLLO NEW

## finiture / finishes

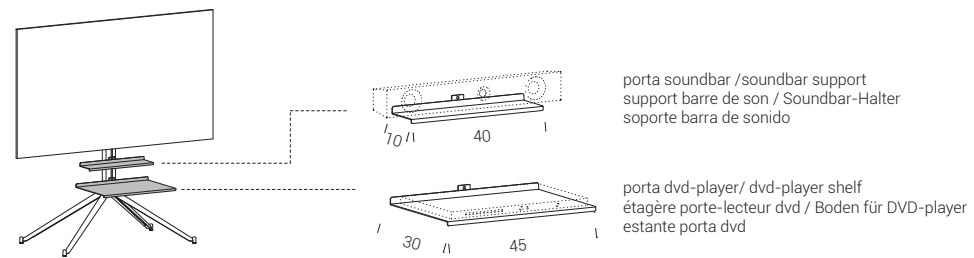
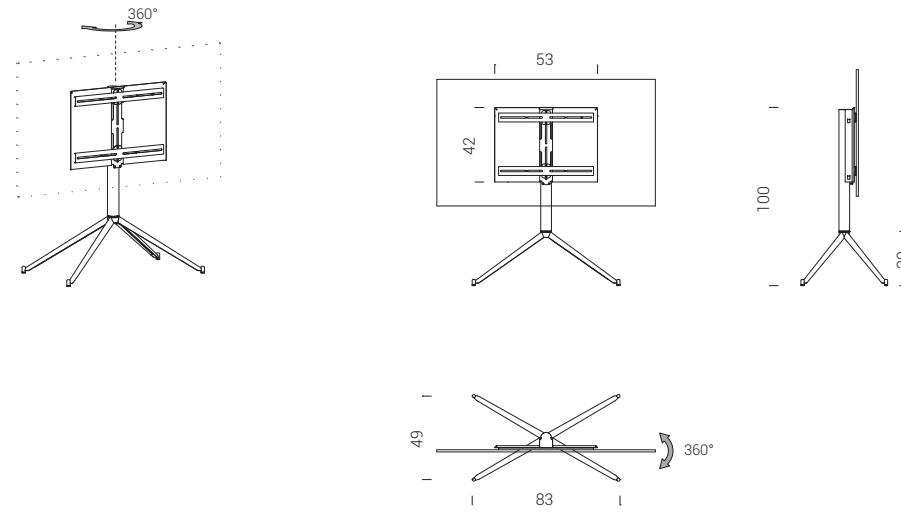
telaio / structure / châssis / Gestell / bastidor


verniciatura a polveri  
powder coating  
peinture en poudres  
Pulverlackierung  
pintura en polvo


	<b>C12</b>	bianco white
	<b>C21</b>	seta silk
	<b>C23</b>	corda ecru
	<b>C30</b>	grigio ombra Umbr grey
	<b>C14</b>	antracite anthracite
	<b>C08</b>	nero black

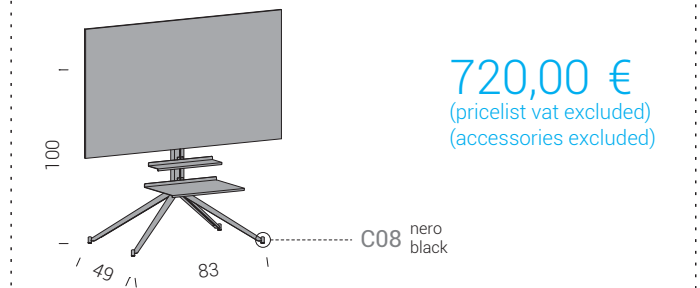


## dimensioni / dimensions



 I cavi della TV e di eventuali unità multimediali sono completamente nascosti.  
The TV and multimedia unit wires are completely hidden.  
Les fils de la TV et des unités multimédias sont complètement dissimulés.  
Die Kabel des Fernsehers und der Multimedia sind vollkommen unsichtbar.  
Los cables de la TV y de los sistemas multimedia quedan completamente ocultos.

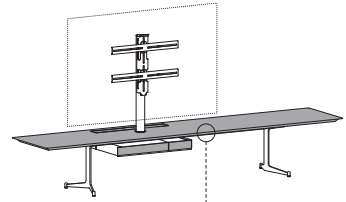
 supporto monitor universale per TV da 19 a 65 pollici.  
universal monitor support for TV from 19 to 65 inches.  
support moniteur universel pour TV de 19 à 65 pouces.  
Universal-Monitor-Halter für TV von 19 bis 65 Zoll.  
soporte de monitor universal para TV de 19 a 65 pulgadas.



# CONNECT NEW

## finiture / finishes

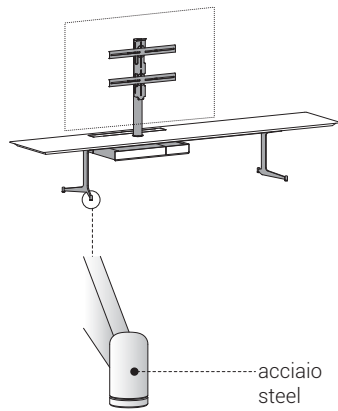
top / top / plateaux / Platte / plano



hpl + strato finitura  
finished layer  
couche de finition  
Endschicht  
capa de acabado

hpl		L03	bianco white	
<b>FENIX NTM</b>		L08	grigio Londra London grey	
<b>FENIX NTM</b>		L06	nero black	
HPL + legno/wood/bois Holz/madera		Y36	rovere oak	
		Y34	noce walnut	
		Y37	rovere affumicato smoked oak	
		Y39	frassino nero black ash	
<b>eco-touch</b>		N01	sabbia sand	
<b>eco-touch</b>		N02	ghisa cast-iron	

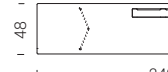
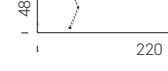
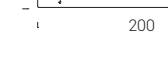
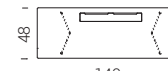
telaio / structure / châssis / Gestell / bastidor



acciaio  
steel  
acier  
Stahl  
Acero

verniciatura a polveri powder coating peinture en poudres Pulverlackierung pintura en polvo		C12	bianco white
		C21	seta silk
		C23	corda ecru
		C30	grigio ombra Umbral grey
		C14	antracite anthracite
		C08	nero black
		C18	verde green
		C26	corten corten
		C29	bronzo bronze
		C33	rame ossidato oxidized copper

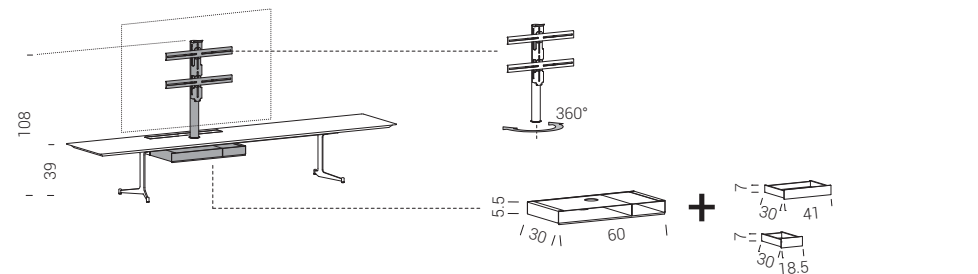
## dimensioni / dimesions



SX

DX

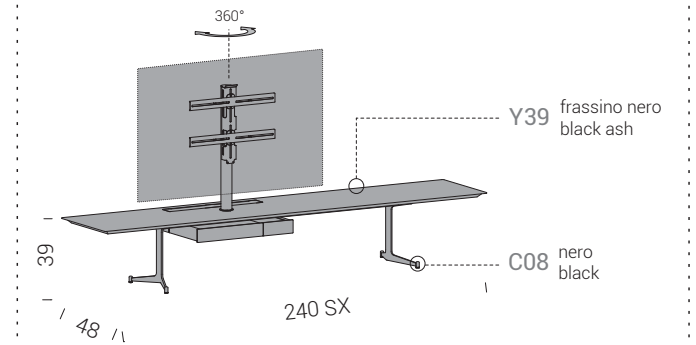
accessori / accessories / accessoires / Zubehör / accesorios



I cavi della TV e di eventuali unità multimediali sono completamente nascosti.  
The TV and multimedia unit wires are completely hidden.  
Les fils de la TV et des unités multimédias sont complètement dissimulés.  
Die Kabel des Fernsehers und der Multimedia sind vollkommen unsichtbar.  
Los cables de la TV y de los sistemas multimedia quedan completamente ocultos.



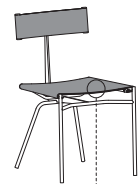
supporto monitor universale per TV da 19 a 65 pollici.  
universal monitor support for TV from 19 to 65 inches.  
support moniteur universel pour TV de 19 à 65 pouces.  
Universal-Monitor-Halter für TV von 19 bis 65 Zoll.  
soporte de monitor universal para TV de 19 a 65 pulgadas.



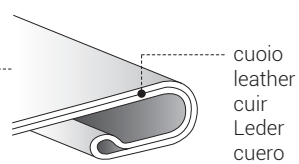
1790,00 €  
(pricelist vat excluded)

## finiture / finishes

fondello e schienale / seat and back / assise et dossier / Sitzfläche und Rückenlehne / asiento y respaldo



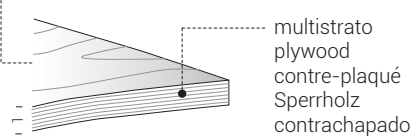
- cuoio  
leather  
cuir  
Leder  
cuero
- F01** tabacco  
tobacco
  - F02** nero  
black



cuoio  
leather  
cuir  
Leder  
cuero



- multistrato  
plywood  
contre-plaqué  
Sperrholz  
contrachapado
- Y34** noce  
walnut
  - Y39** frassino nero  
black ash

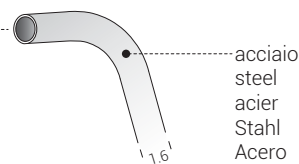


multistrato  
plywood  
contre-plaqué  
Sperrholz  
contrachapado

telaio / structure / châssis / Gestell / bastidor

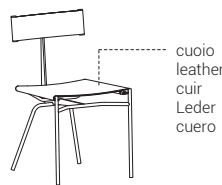


- verniciatura a polveri  
powder coating  
peinture en poudres  
Pulverlackierung  
pintura en polvo
- C12** bianco  
white
  - C21** seta  
silk
  - C23** corda  
ecru
  - C30** grigio ombra  
Umbr grey
  - C14** antracite  
anthracite
  - C08** nero  
black
  - C18** verde  
green
  - C26** corten  
corten
  - C29** bronzo  
bronze
  - C33** rame ossidato  
oxidized copper

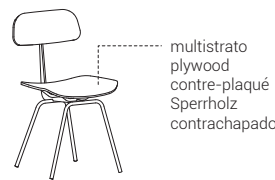
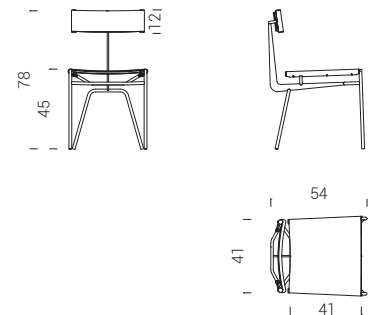


acciaio  
steel  
acier  
Stahl  
Acero

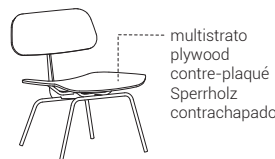
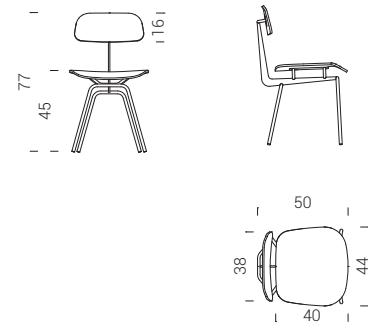
## dimensioni / dimensions



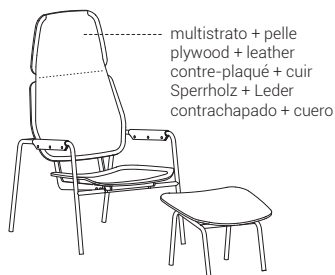
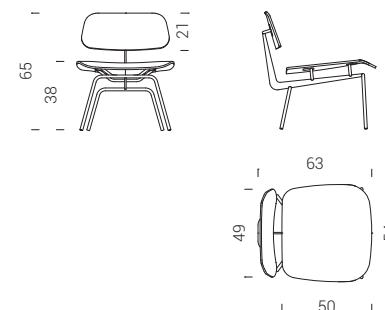
cuoio  
leather  
cuir  
Leder  
cuero



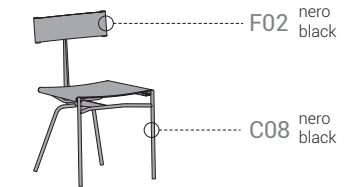
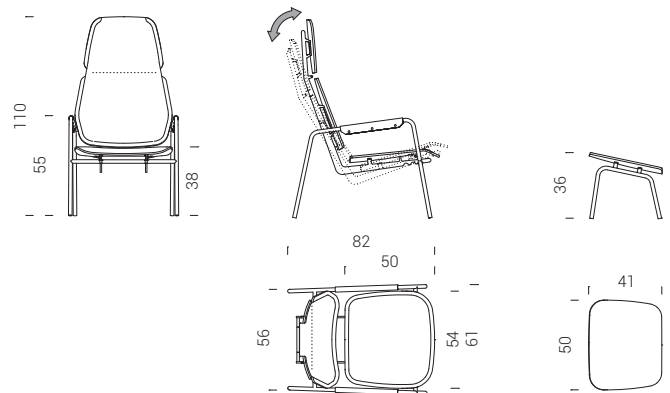
multistrato  
plywood  
contre-plaqué  
Sperrholz  
contrachapado



multistrato  
plywood  
contre-plaqué  
Sperrholz  
contrachapado



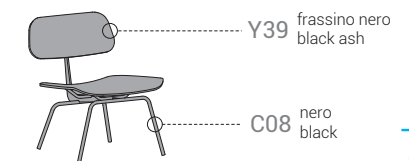
multistrato + pelle  
plywood + leather  
contre-plaqué + cuir  
Sperrholz + Leder  
contrachapado + cuero



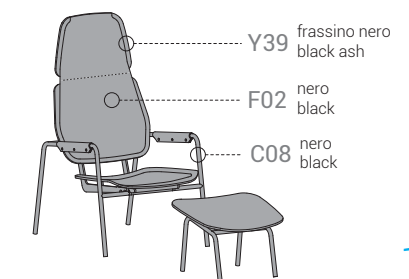
**495,00 €**  
(pricelist vat excluded)



**190,00 €**  
(pricelist vat excluded)



**780,00 €**  
(pricelist vat excluded)  
(cushion included)

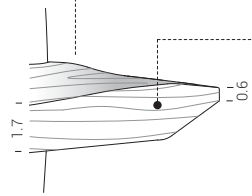
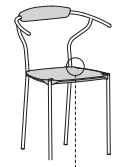


**1680,00 €**  
(pricelist vat excluded)  
(cushions included)

# DANSKE C

## finiture / finishes

fondello e schienale / seat and back / assise et dossier / Sitzfläche und Rückenlehne / asiento y respaldo



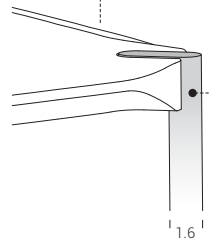
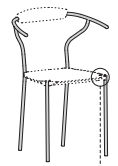
legno massiccio  
solid wood  
bois massif  
Massivholz  
madera maciza

legno massiccio  
solid wood  
bois massif  
Massivholz  
madera maciza

**T01** rovere  
oak

**T02** noce  
walnut

telaio / structure / châssis / Gestell / bastidor



acciaio  
steel  
acier  
Stahl  
Acero

verniciatura a polveri  
powder coating  
peinture en poudres  
Pulverlackierung  
pintura en polvo

**C12** bianco  
white

**C21** seta  
silk

**C23** corda  
ecru

**C30** grigio ombra  
Umbr grey

**C14** antracite  
anthracite

**C08** nero  
black

**C18** verde  
green

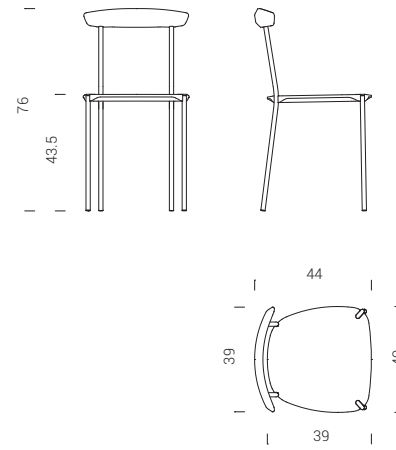
**C26** corten  
corten

**C29** bronzo  
bronze

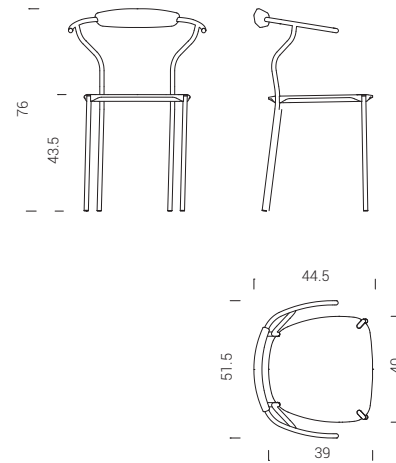
**C33** rame ossidato  
oxidized copper

## dimensioni / dimesions

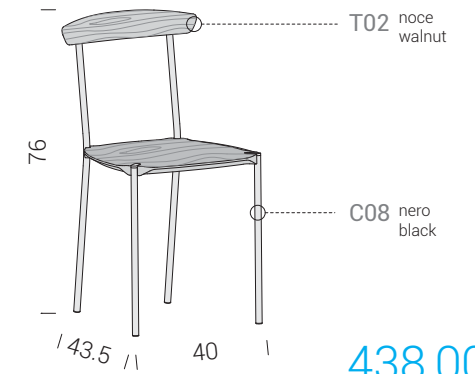
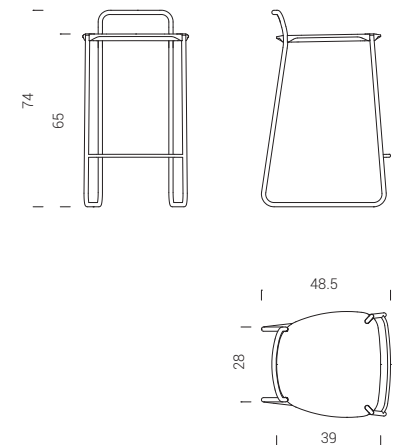
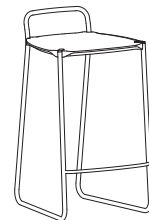
**C1**



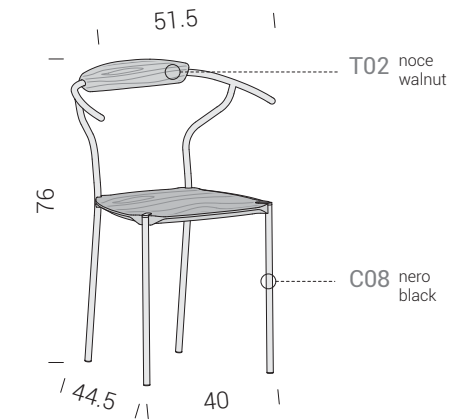
**C2**



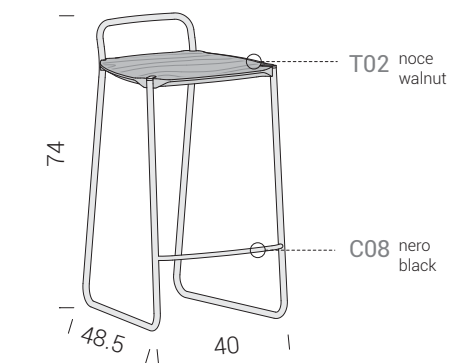
**C3**



**438,00 €**  
(pricelist vat excluded)



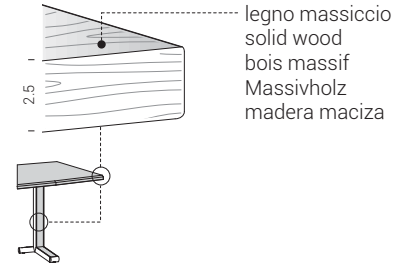
**448,00 €**  
(pricelist vat excluded)



**348,00 €**  
(pricelist vat excluded)

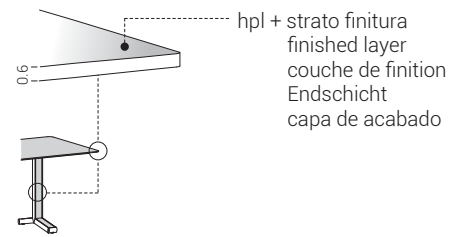
## finiture / finishes

top tavolo / table top / plateau de table / Tischplatte / plano de mesa



legno massiccio  
solid wood  
bois massif  
Massivholz  
madera maciza

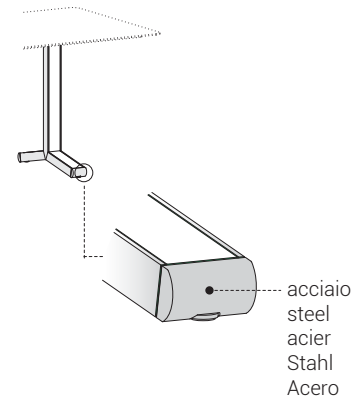
- |   |  |                          |
|---|--|--------------------------|
| legno massiccio<br>solid wood<br>bois massif<br>Massivholz<br>madera maciza |  | <b>T01</b> rovere oak    |
|   |  | <b>T02</b> noce walnut   |
|   |  | <b>T03</b> iroko         |
|   |  | <b>T04</b> iroko outdoor |



hpl + strato finitura  
finished layer  
couche de finition  
Endschicht  
capa de acabado

- |   |  |   |
|---|--|---|
| hpl                                       |  | <b>L03</b> bianco white                 |
| <b>FENIX NTM</b>                          |  | <b>L08</b> grigio Londra London grey    |
| <b>FENIX NTM</b>                          |  | <b>L06</b> nero black                   |
| HPL + legno/wood/bois<br>Holz/madera      |  | <b>Y36</b> rovere oak                   |
|   |  | <b>Y34</b> noce walnut                  |
|   |  | <b>Y37</b> rovere affumicato smoked oak |
|   |  | <b>Y39</b> frassino nero black ash      |
| hpl + metallo/metal/métal<br>Metall/metal |  | <b>C31</b> ottone brass                 |
| <b>eco-touch</b>                          |  | <b>N01</b> sabbia sand                  |
| <b>eco-touch</b>                          |  | <b>N02</b> ghisa cast-iron              |

telaio / structure / châssis / Gestell / bastidor

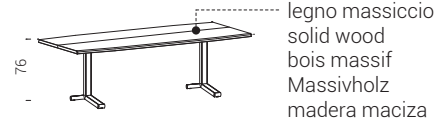


acciaio  
steel  
acier  
Stahl  
Acero

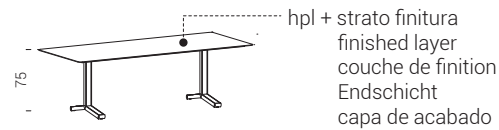
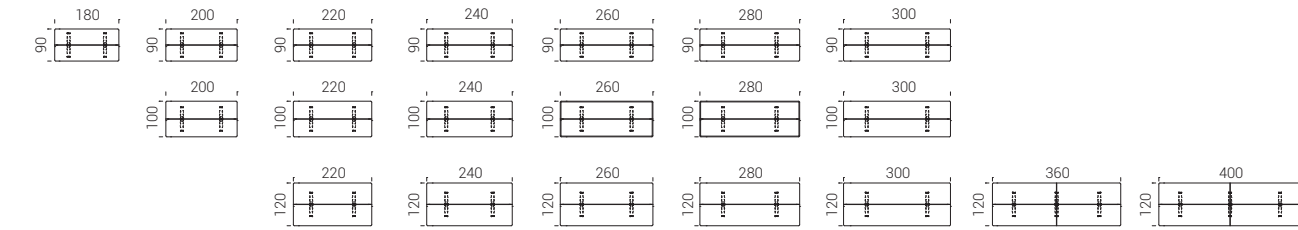
- |   |  |  |
|---|--|--|
| verniciatura a polveri<br>powder coating<br>peinture en poudres<br>Pulverlackierung<br>pintura en polvo |  | <b>C12</b> bianco white                  |
|   |  | <b>C21</b> seta silk                     |
|   |  | <b>C23</b> corda ecru                    |
|   |  | <b>C30</b> grigio ombra Umbra grey       |
|   |  | <b>C14</b> antracite anthracite          |
|   |  | <b>C08</b> nero black                    |
|   |  | <b>C18</b> verde green                   |
|   |  | <b>C26</b> corten corten                 |
|   |  | <b>C29</b> bronzo bronze                 |
|   |  | <b>C33</b> rame ossidato oxidized copper |

finiture top disponibili per outdoor  
top finishes available for outdoors  
finitions plateau disponibles pour l'extérieur  
Outdoor-Endbehandlung des Abschlussbords verfügbar  
acabados de sobres disponibles para exterior

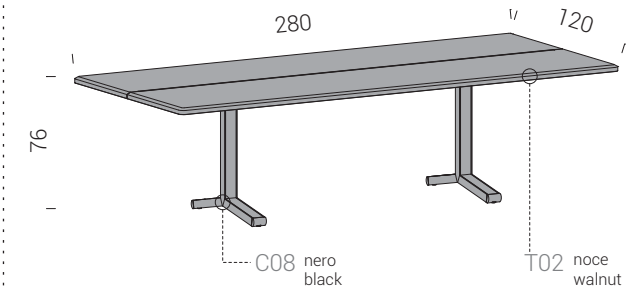
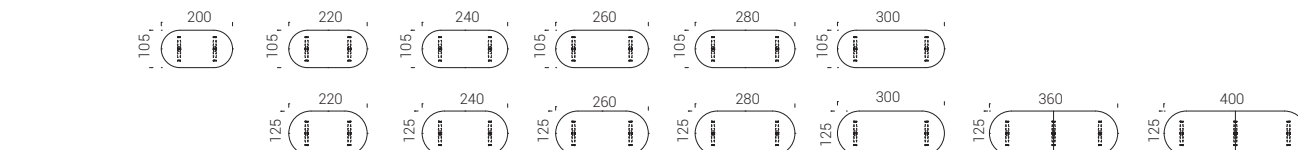
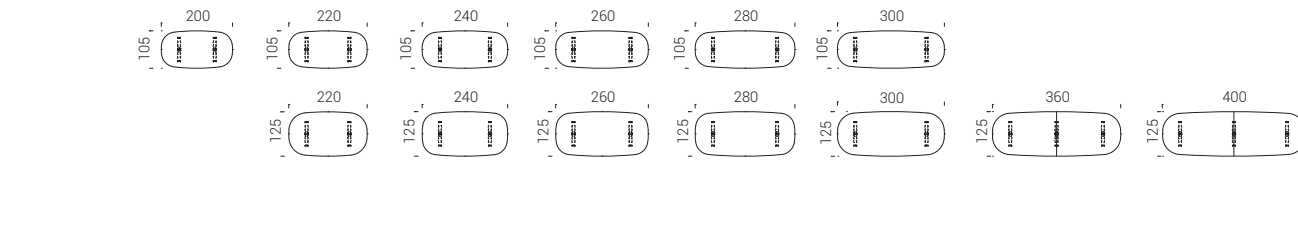
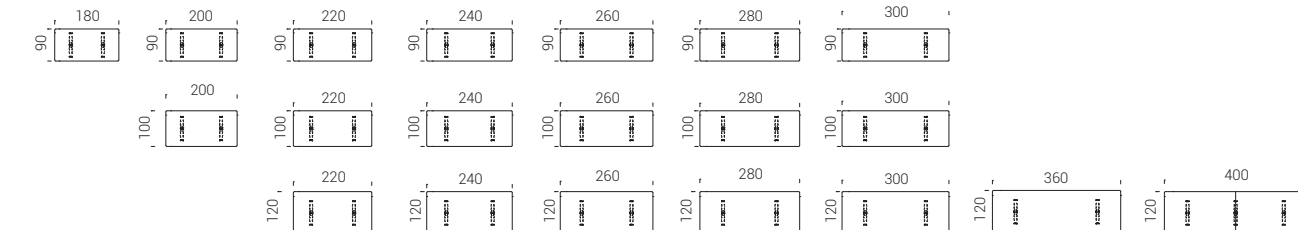
## dimensioni / dimesions



legno massiccio  
solid wood  
bois massif  
Massivholz  
madera maciza



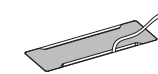
hpl + strato finitura  
finished layer  
couche de finition  
Endschicht  
capa de acabado



**3150,00 €**  
(pricelist vat excluded)



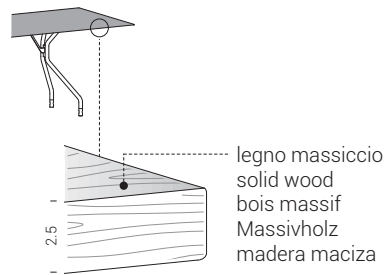
riduzione a misura  
reductions to measure  
réduction sur mesure  
Verkürzung nach Maß  
reducción a medida



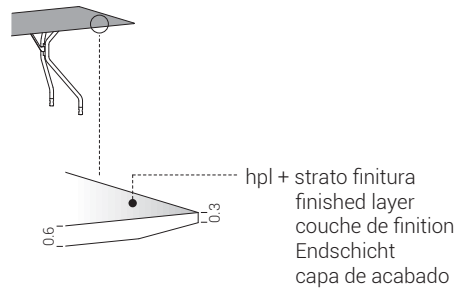
passacavo disponibile per tutti i top  
cable gland available for all tops  
passe-câble disponible pour tous les plateaux  
Kabeldurchlass für alle Abschlussborde verfügbar  
pasacables disponible para todos los sobres

## finiture / finishes

top tavolo / table top / plateau de table / Tischplatte / plano de mesa

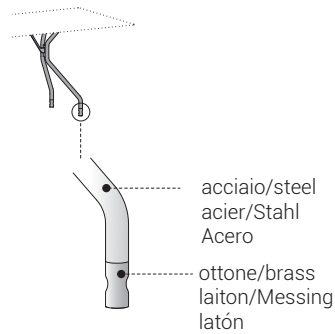


- |   |  |                             |
|---|--|-----------------------------|
| legno massiccio<br>solid wood<br>bois massif<br>Massivholz<br>madera maciza |  | <b>T01</b> rovere oak       |
|   |  | <b>T02</b> noce walnut      |
|   |  | <b>T03</b> iroko            |
|   |  | <b>T04</b> iroko outdoor ☀️ |



- |   |  |   |
|---|--|---|
| hpl                                       |  | <b>L03</b> bianco white ☁️              |
| <b>FENIX NTM</b>                          |  | <b>L08</b> grigio Londra London grey ☁️ |
| <b>FENIX NTM</b>                          |  | <b>L06</b> nero black ☁️                |
| HPL + legno/wood/bois<br>Holz/madera      |  | <b>Y36</b> rovere oak                   |
|   |  | <b>Y34</b> noce walnut                  |
|   |  | <b>Y37</b> rovere affumicato smoked oak |
|   |  | <b>Y39</b> frassino nero black ash      |
| hpl + metallo/metal/métal<br>Metall/metal |  | <b>C31</b> ottone brass                 |
| <b>eco-touch</b>                          |  | <b>N01</b> sabbia sand                  |
| <b>eco-touch</b>                          |  | <b>N02</b> ghisa cast-iron              |

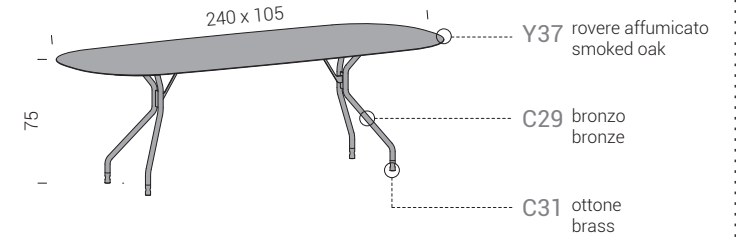
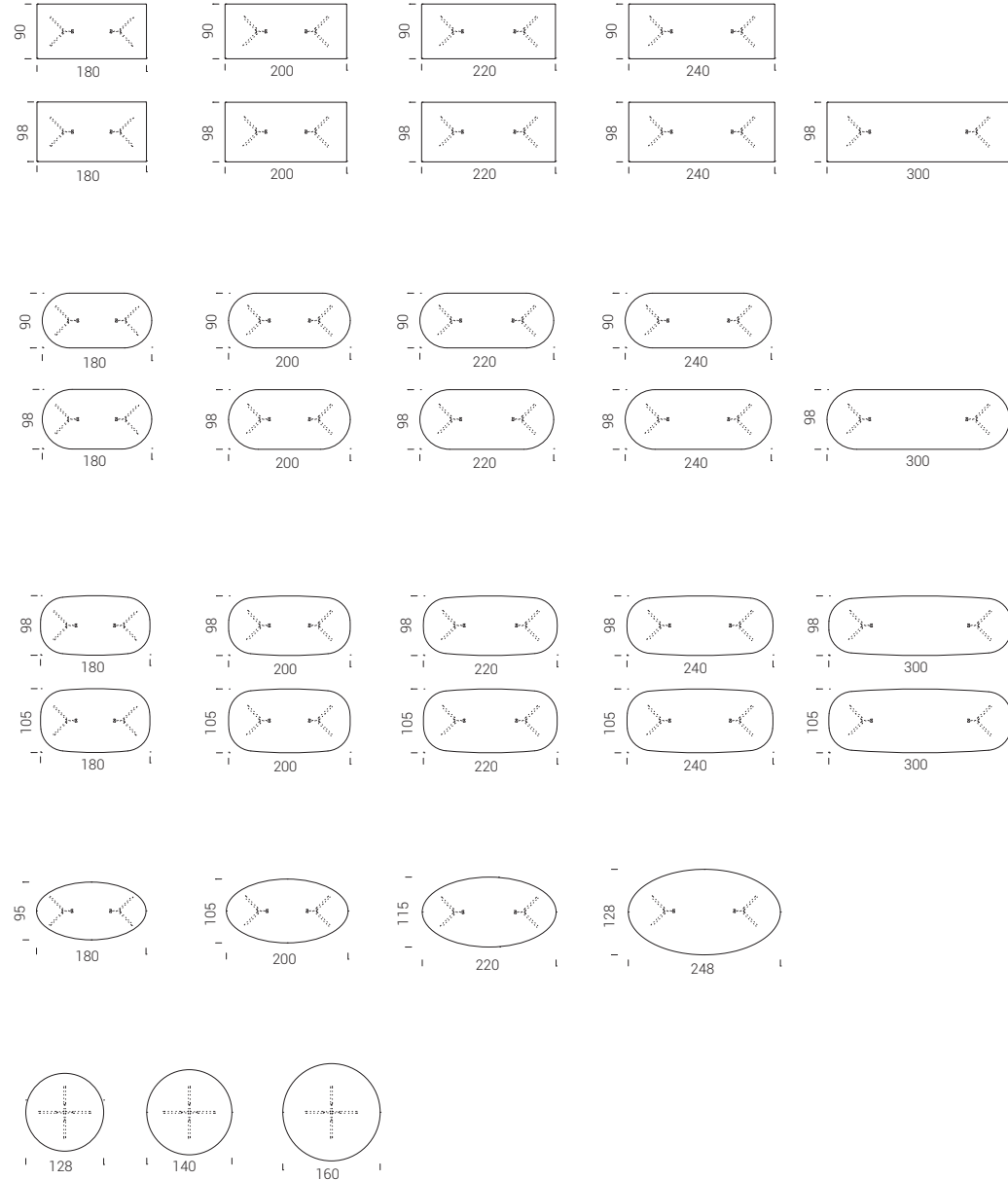
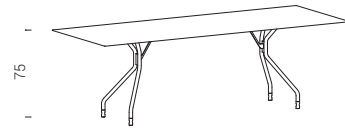
telaio / structure/ châssis / Gestell / bastidor



- |   |  |  |
|---|--|--|
| verniciatura a polveri<br>powder coating<br>peinture en poudres<br>Pulverlackierung<br>pintura en polvo |  | <b>C12</b> bianco white                  |
|   |  | <b>C21</b> seta silk                     |
|   |  | <b>C23</b> corda ecru                    |
|   |  | <b>C30</b> grigio ombra Umbra grey       |
|   |  | <b>C14</b> antracite anthracite          |
|   |  | <b>C08</b> nero black                    |
|   |  | <b>C18</b> verde green                   |
|   |  | <b>C26</b> corten corten                 |
|   |  | <b>C29</b> bronzo bronze                 |
|   |  | <b>C33</b> rame ossidato oxidized copper |

☀️  
finiture top disponibili per outdoor  
top finishes available for outdoors  
finitions plateau disponibles pour l'extérieur  
Outdoor-Endbehandlung des Abschlussbords verfügbar  
acabados de sobres disponibles para exterior

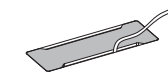
## dimensioni / dimesions



**1850,00 €**  
(pricelist vat excluded)



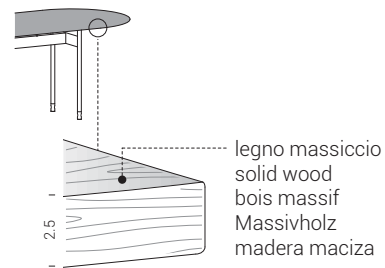
riduzione a misura  
reductions to measure  
réduction sur mesure  
Verkürzung nach Maß  
reducción a medida



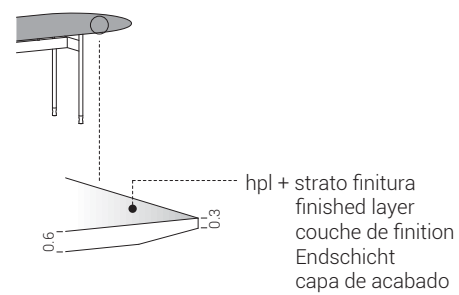
passacavo disponibile per tutti i top  
cable gland available for all tops  
passe-câble disponible pour tous les plateaux  
Kabeldurchlass für alle Abschlussborde verfügbar  
pasacables disponible para todos los sobres

## finiture / finishes

top tavolo / table top / plateau de table / Tischplatte / plano de mesa

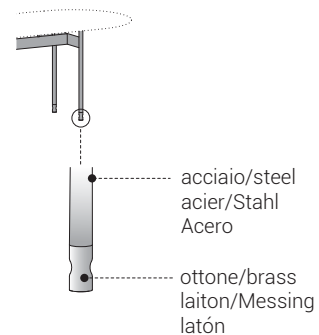


- |   |  |                           |
|---|--|---------------------------|
| legno massiccio<br>solid wood<br>bois massif<br>Massivholz<br>madera maciza |  | <b>T01</b> rovere<br>oak  |
|   |  | <b>T02</b> noce<br>walnut |
|   |  | <b>T03</b> iroko          |
|   |  | <b>T04</b> iroko outdoor  |



- |   |  |  |
|---|--|--|
| hpl                                       |  | <b>L03</b> bianco<br>white                 |
| <b>FENIX NTM</b>                          |  | <b>L08</b> grigio Londra<br>London grey    |
| <b>FENIX NTM</b>                          |  | <b>L06</b> nero<br>black                   |
| HPL + legno/wood/bois<br>Holz/madera      |  | <b>Y36</b> rovere<br>oak                   |
|   |  | <b>Y34</b> noce<br>walnut                  |
|   |  | <b>Y37</b> rovere affumicato<br>smoked oak |
|   |  | <b>Y39</b> frassino nero<br>black ash      |
| hpl + metallo/metal/métal<br>Metall/metal |  | <b>C31</b> ottone<br>brass                 |
| <b>eco-touch</b>                          |  | <b>N01</b> sabbia<br>sand                  |
| <b>eco-touch</b>                          |  | <b>N02</b> ghisa<br>cast-iron              |

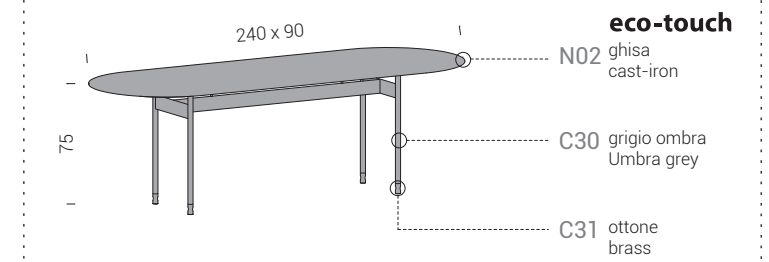
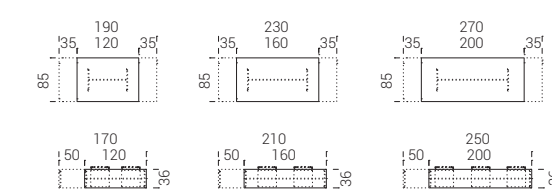
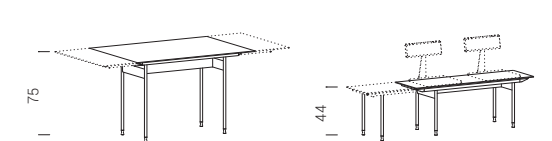
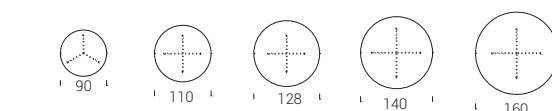
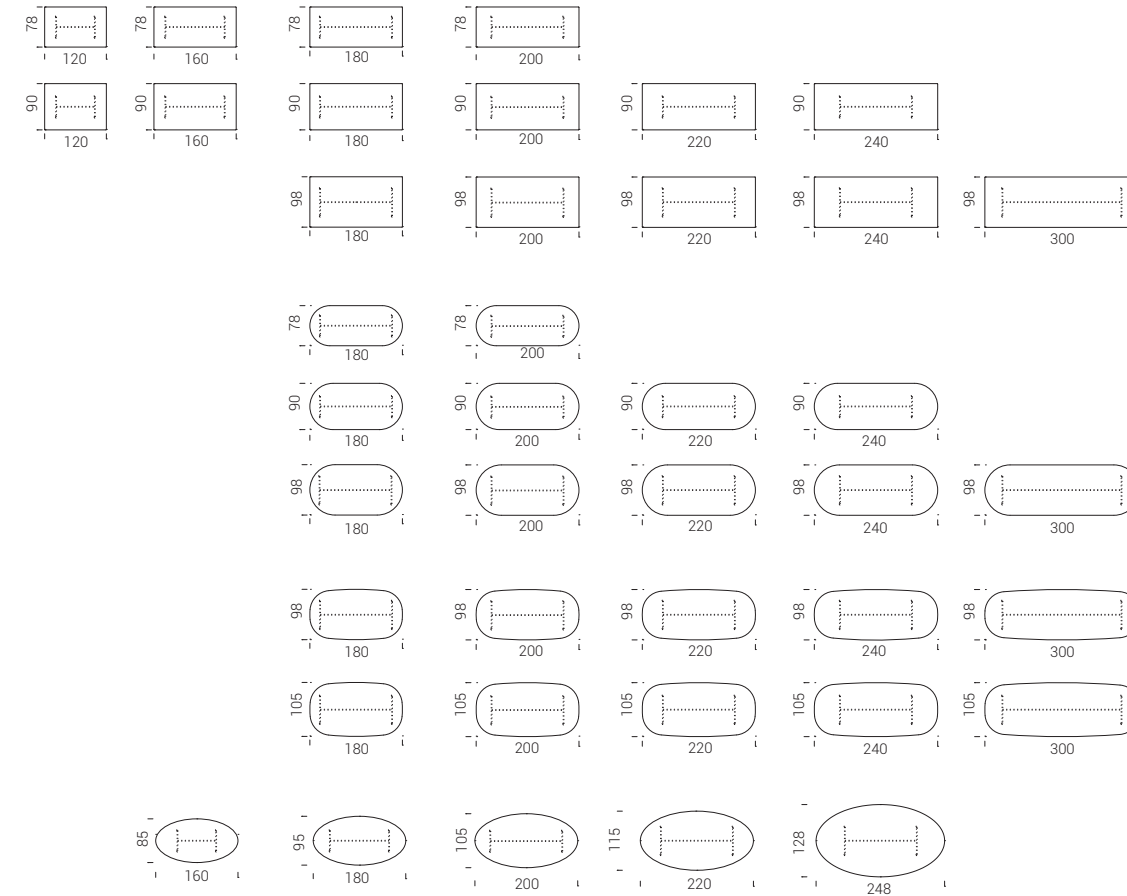
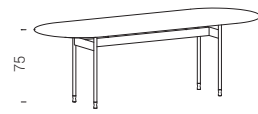
telaio / structure/ châssis / Gestell / bastidor



- |   |  |   |
|---|--|---|
| verniciatura a polveri<br>powder coating<br>peinture en poudres<br>Pulverlackierung<br>pintura en polvo |  | <b>C12</b> bianco<br>white                  |
|   |  | <b>C21</b> seta<br>silk                     |
|   |  | <b>C23</b> corda<br>ecru                    |
|   |  | <b>C30</b> grigio ombra<br>Umbr grey        |
|   |  | <b>C14</b> antracite<br>anthracite          |
|   |  | <b>C08</b> nero<br>black                    |
|   |  | <b>C18</b> verde<br>green                   |
|   |  | <b>C26</b> corten<br>corten                 |
|   |  | <b>C29</b> bronzo<br>bronze                 |
|   |  | <b>C33</b> rame ossidato<br>oxidized copper |

finiture top disponibili per outdoor  
top finishes available for outdoors  
finitions plateau disponibles pour l'extérieur  
Outdoor-Endbehandlung des Abschlussbords verfügbar  
acabados de sobres disponibles para exterior

## dimensioni / dimesions



**1780,00 €**  
(pricelist vat excluded)

cm  
riduzione a misura  
reductions to measure  
réduction sur mesure  
Verkürzung nach Maß  
reducción a medida

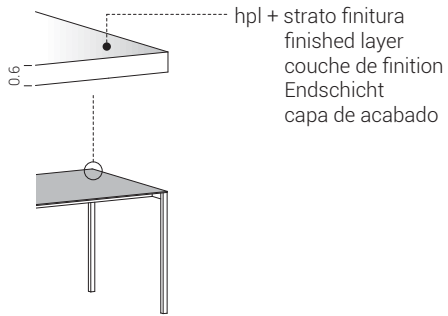
passacavo disponibile per tutti i top  
cable gland available for all tops  
passe-câble disponible pour tous les plateaux  
Kabeldurchlass für alle Abschlussborde verfügbar  
pasacables disponible para todos los sobres



# SINTESI

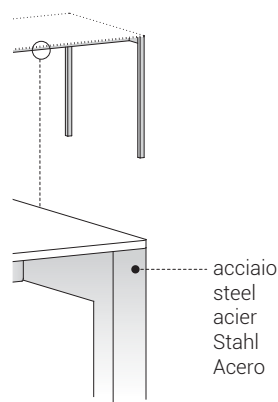
## finiture / finishes

top tavolo / table top / plateau de table / Tischplatte / plano de mesa



hpl		<b>L03</b>	bianco white	
<b>FENIX NTM®</b>		<b>L08</b>	grigio Londra London grey	
<b>FENIX NTM®</b>		<b>L06</b>	nero black	
HPL + legno/wood/bois Holz/madera				
		<b>Y31</b>	rovere oak	
		<b>Y34</b>	noce walnut	
		<b>Y37</b>	rovere affumicato smoked oak	
		<b>Y39</b>	frassino nero black ash	
hpl + metallo/metal/métal Metall/metal				
		<b>C31</b>	ottone brass	
<b>eco-touch</b>		<b>N01</b>	sabbia sand	
<b>eco-touch</b>		<b>N02</b>	ghisa cast-iron	

telaio / structure / châssis / Gestell / bastidor



verniciatura a polveri powder coating peinture en poudres Pulverlackierung pintura en polvo		<b>C12</b>	bianco white
		<b>C21</b>	seta silk
		<b>C23</b>	corda ecru
		<b>C30</b>	grigio ombra Umbr grey
		<b>C14</b>	antracite anthracite
		<b>C08</b>	nero black
		<b>C18</b>	verde green
		<b>C26</b>	corten corten
		<b>C29</b>	bronzo bronze
		<b>C33</b>	rame ossidato oxidized copper

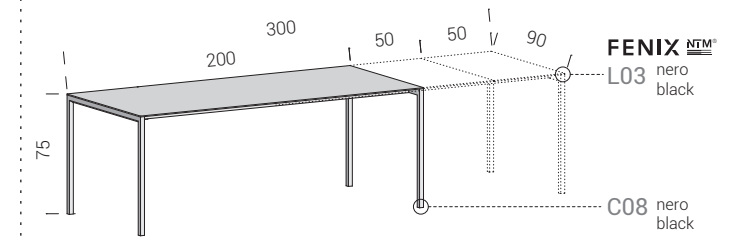
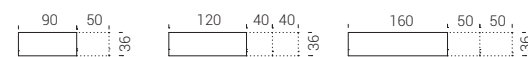
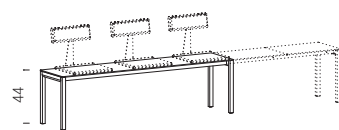
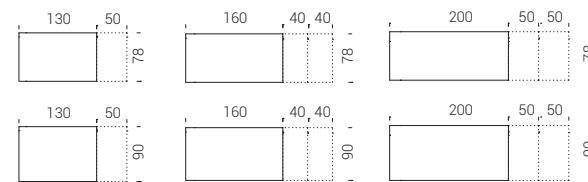
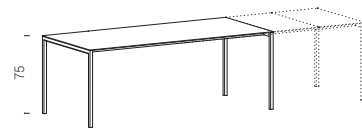
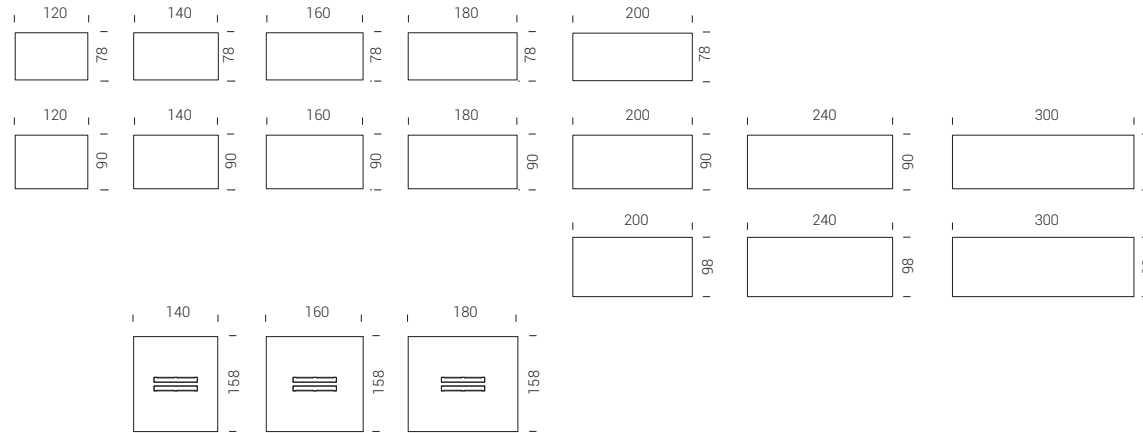
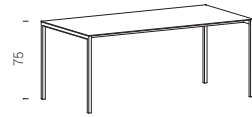


passacavo disponibile per tutti i top  
cable gland available for all tops  
passe-câble disponible pour tous les plateaux  
Kabeldurchlass für alle Abschlussborde verfügbar  
pasacables disponible para todos los sobres

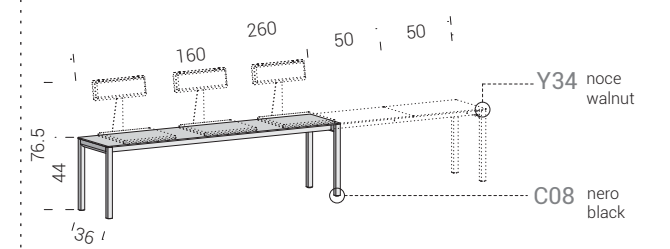


finiture top disponibili per outdoor  
top finishes available for outdoors  
finitions plateau disponibles pour l'extérieur  
Outdoor-Endbehandlung des Abschlussbords verfügbar  
acabados de sobres disponibles para exterior

## dimensioni / dimesions



2838,00 €  
(pricelist vat excluded)



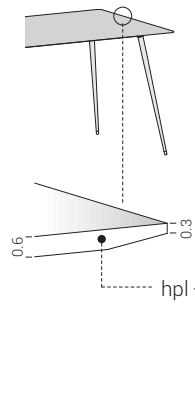
1685,00 €  
(pricelist vat excluded)



# SPILLO

## finiture / finishes

top tavolo / table top / plateau de table / Tischplatte / plano de mesa



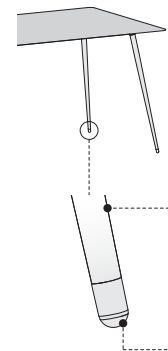
- hpl  **L03** bianco white
- FENIX NTM**  **L08** grigio Londra London grey
- FENIX NTM**  **L06** nero black

- HPL + legno/wood/bois Holz/madera
- Y36** rovere oak
  - Y34** noce walnut
  - Y37** rovere affumicato smoked oak
  - Y39** frassino nero black ash

- hpl + metallo/metal/métal Metall/metal
- C31** ottone brass

- eco-touch**
- N01** sabbia sand
  - N02** ghisa cast-iron

telaio / structure / châssis / Gestell / bastidor

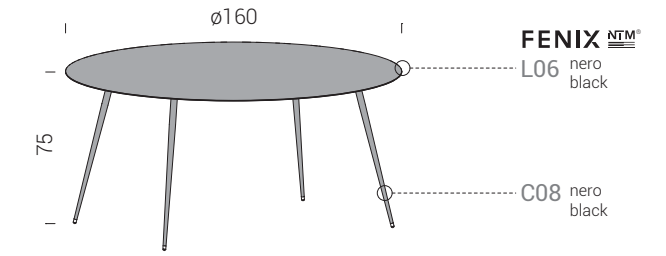
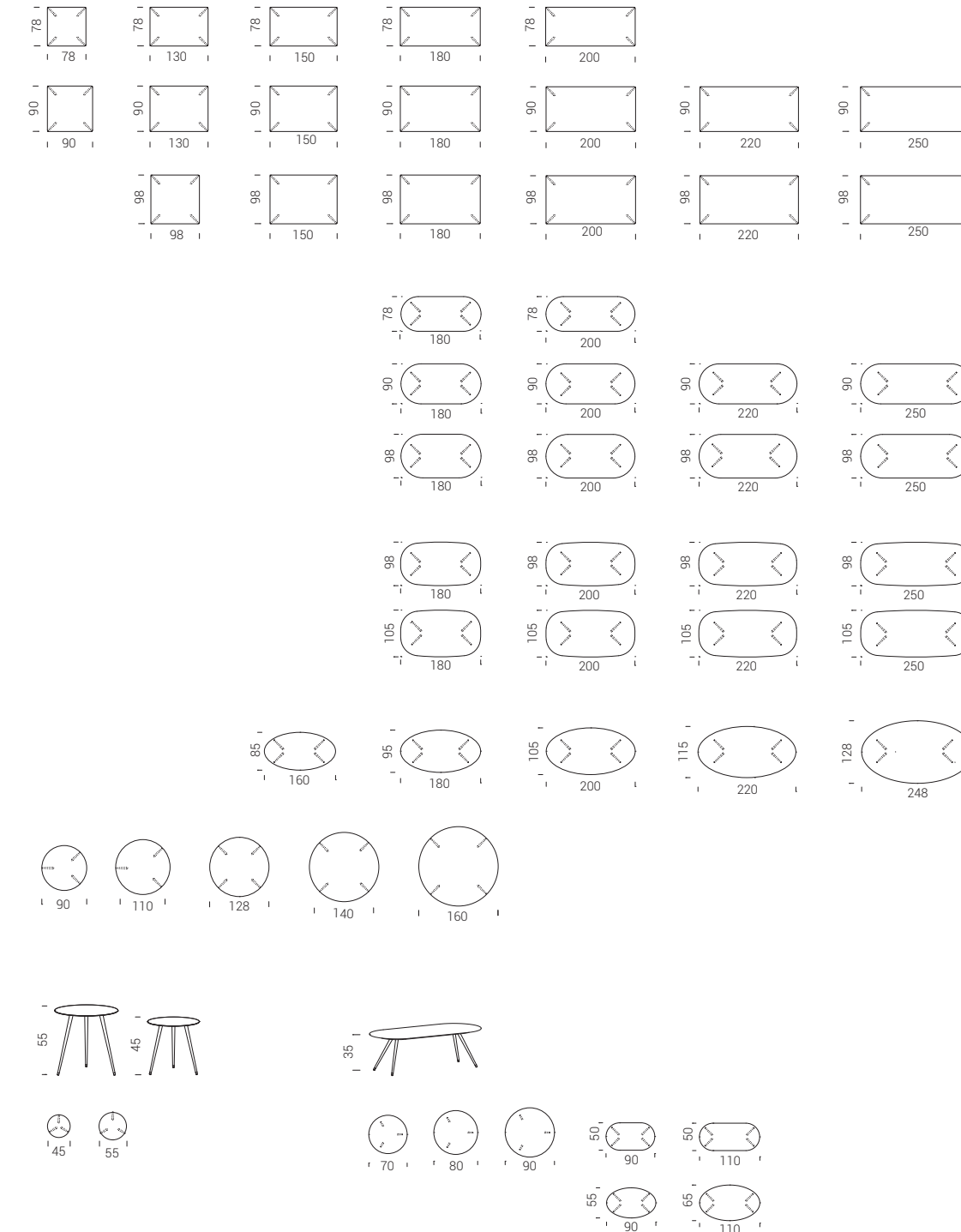


- verniciatura a polveri powder coating peinture en poudres Pulverlackierung pintura en polvo
- C12** bianco white
  - C21** seta silk
  - C23** corda ecru
  - C30** grigio ombra Umbra grey
  - C14** antracite anthracite
  - C08** nero black
  - C18** verde green
  - C26** corten corten
  - C29** bronzo bronze
  - C33** rame ossidato oxidized copper

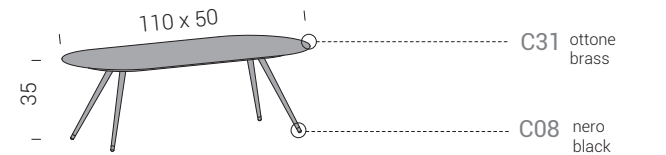
- acciaio steel acier Stahl Acero
- gomma rubber caoutchouc Gummi cauch

finiture top disponibili per outdoor  
top finishes available for outdoors  
finitions plateau disponibles pour l'extérieur  
Outdoor-Endbehandlung des Abschlussbords verfügbar  
acabados de sobres disponibles para exterior

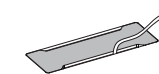
## dimensioni / dimesions



2110,00 €  
(pricelist vat excluded)



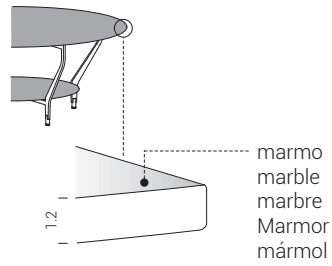
640,00 €  
(pricelist vat excluded)



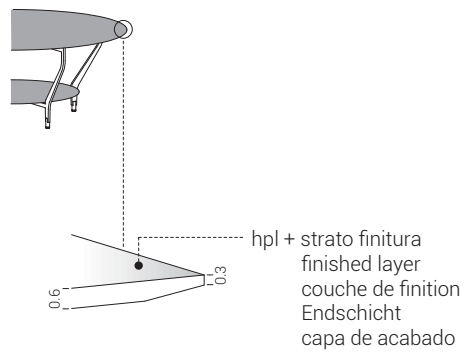
passacavo disponibile per tutti i top  
cable gland available for all tops  
passe-câble disponible pour tous les plateaux  
Kabeldurchlass für alle Abschlussborde verfügbar  
pasacables disponible para todos los sobres

## finiture / finishes

top tavolo / table top / plateau de table / Tischplatte / plano de mesa

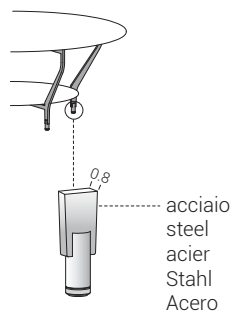


- |   |  |  |
|---|--|--|
| marmo<br>marble<br>marbre<br>Marmor<br>mármol |  | <b>Z01</b> bianco Carrara<br>white Carrara |
|   |  | <b>Z02</b> nero Marquiña<br>black Marquiña |



- |   |  |  |  |
|---|--|--|--|
| hpl                                       |  | <b>L03</b> bianco<br>white                 |  |
| <b>FENIX NTM</b>                          |  | <b>L08</b> grigio Londra<br>London grey    |  |
| <b>FENIX NTM</b>                          |  | <b>L06</b> nero<br>black                   |  |
| HPL + legno/wood/bois<br>Holz/madera      |  | <b>Y36</b> rovere<br>oak                   |  |
|   |  | <b>Y34</b> noce<br>walnut                  |  |
|   |  | <b>Y37</b> rovere affumicato<br>smoked oak |  |
|   |  | <b>Y39</b> frassino nero<br>black ash      |  |
| hpl + metallo/metal/métal<br>Metall/metal |  | <b>C31</b> ottone<br>brass                 |  |
| <b>eco-touch</b>                          |  | <b>N01</b> sabbia<br>sand                  |  |
| <b>eco-touch</b>                          |  | <b>N02</b> ghisa<br>cast-iron              |  |

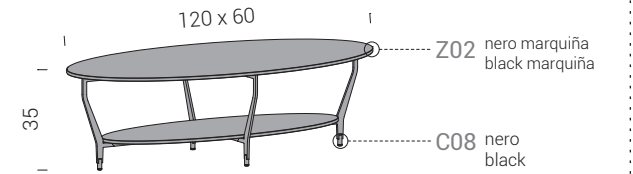
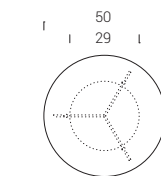
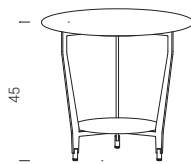
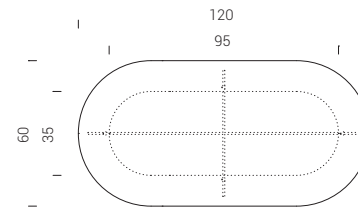
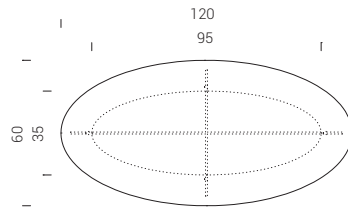
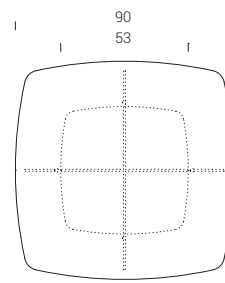
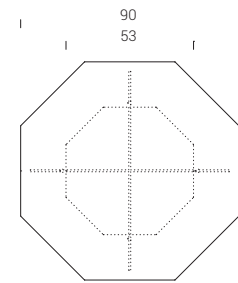
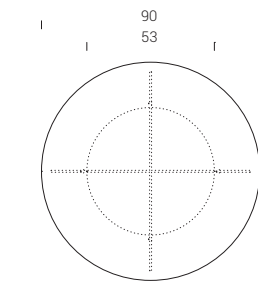
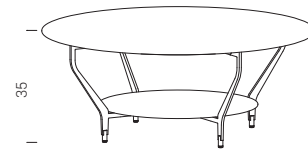
telaio / structure/ châssis / Gestell / bastidor



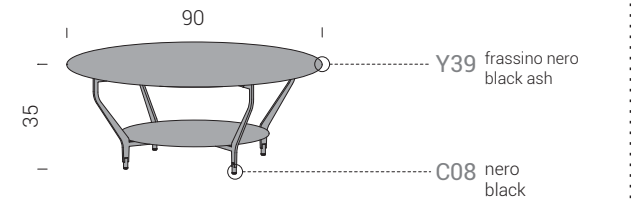
- |   |  |   |  |
|---|--|---|--|
| verniciatura a polveri<br>powder coating<br>peinture en poudres<br>Pulverlackierung<br>pintura en polvo |  | <b>C12</b> bianco<br>white                  |  |
|   |  | <b>C21</b> seta<br>silk                     |  |
|   |  | <b>C23</b> corda<br>ecru                    |  |
|   |  | <b>C30</b> grigio ombra<br>Umbra grey       |  |
|   |  | <b>C14</b> antracite<br>anthracite          |  |
|   |  | <b>C08</b> nero<br>black                    |  |
|   |  | <b>C18</b> verde<br>green                   |  |
|   |  | <b>C26</b> corten<br>corten                 |  |
|   |  | <b>C29</b> bronzo<br>bronze                 |  |
|   |  | <b>C33</b> rame ossidato<br>oxidized copper |  |

finiture top disponibili per outdoor  
top finishes available for outdoors  
finitions plateau disponibles pour l'extérieur  
Outdoor-Endbehandlung des Abschlussbords verfügbar  
acabados de sobres disponibles para exterior

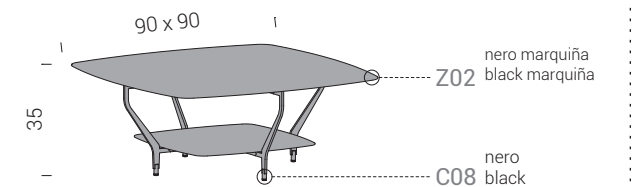
## dimensioni / dimesions



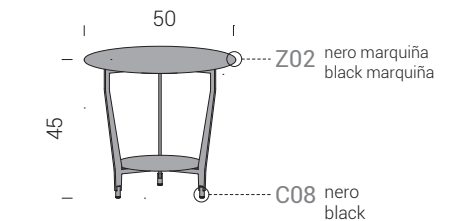
**1431,00 €**  
(pricelist vat excluded)



**840,00 €**  
(pricelist vat excluded)



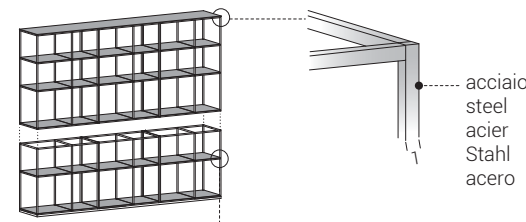
**920,00 €**  
(pricelist vat excluded)



**875,00 €**  
(pricelist vat excluded)

## finiture / finishes

telaio / structure / châssis / Gestell / bastidor



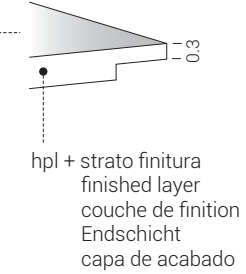
verniciatura a polveri  
powder coating  
peinture en poudres  
Pulverlackierung  
pintura en polvo

- C12** bianco white
- C21** seta silk
- C23** corda ecru
- C30** grigio ombra Umbra grey
- C14** antracite anthracite
- C08** nero black
- C29** bronzo bronze

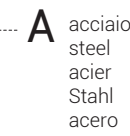
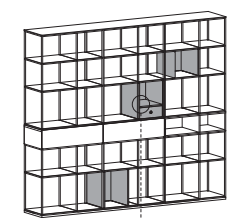
- hpl  **L03** bianco white
- FENIX NTM™**  **L08** grigio Londra London grey
- FENIX NTM™**  **L06** nero black

- hpl + legno wood  
bois  
Holz  
madera
- Y37** rovere affumicato smoked oak
- Y38** rovere nero black oak

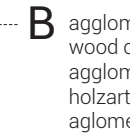
- laccato lacquered  
laqué  
lackiert  
lacado
- Q05** bianco white
- Q16** seta silk
- Q17** corda ecru
- Q20** grigio ombra Umbra grey
- Q14** antracite anthracite
- Q04** nero black
- Q21** bronzo bronze



moduli a C / C modules / C modules / C Module / módulos a C



**A** acciaio steel  
acier  
Stahl  
acero



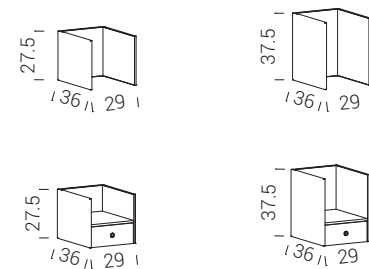
**B** agglomerato ligneo wood composite  
aggloméré de bois  
holzartiges Agglomerat  
aglomerado de madera

verniciatura a polveri  
powder coating  
peinture en poudres  
Pulverlackierung  
pintura en polvo

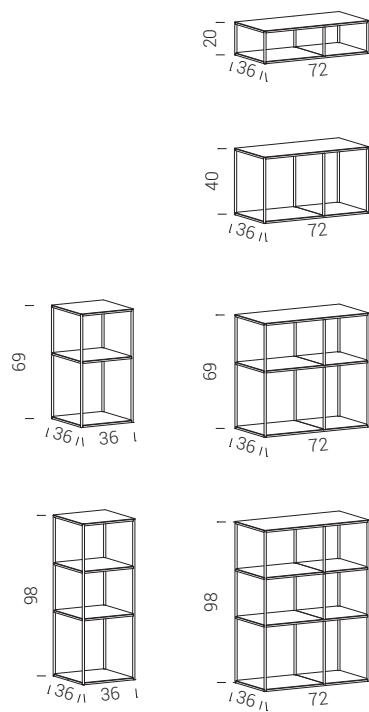
- A**
- C12** bianco white
  - C21** seta silk
  - C23** corda ecru
  - C30** grigio ombra Umbra grey
  - C14** antracite anthracite
  - C08** nero black

- B**
- laccato lacquered  
laqué  
lackiert  
lacado
- Q05** bianco white
  - Q16** seta silk
  - Q17** corda ecru
  - Q20** grigio ombra Umbra grey
  - Q14** antracite anthracite
  - Q04** nero black
  - Q21** bronzo bronze

- legno wood  
bois  
Holz  
madera
- Y37** rovere affumicato smoked oak
- Y38** rovere nero black oak

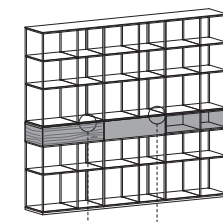


## configurazioni / configurations



## finiture / finishes

contenitori / cabinets / modules de rangement / Behälter / contenedores



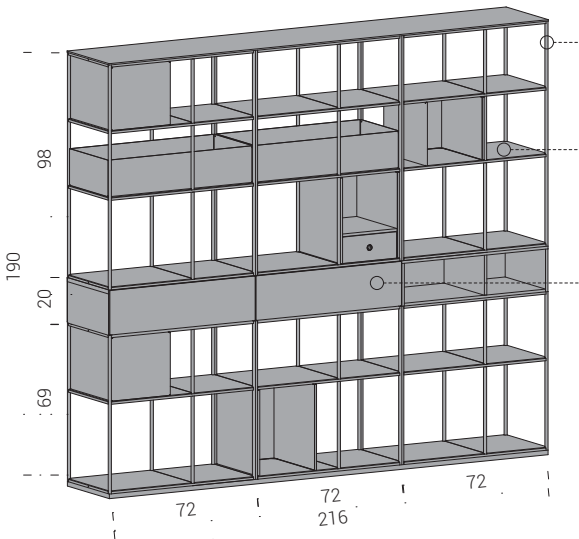
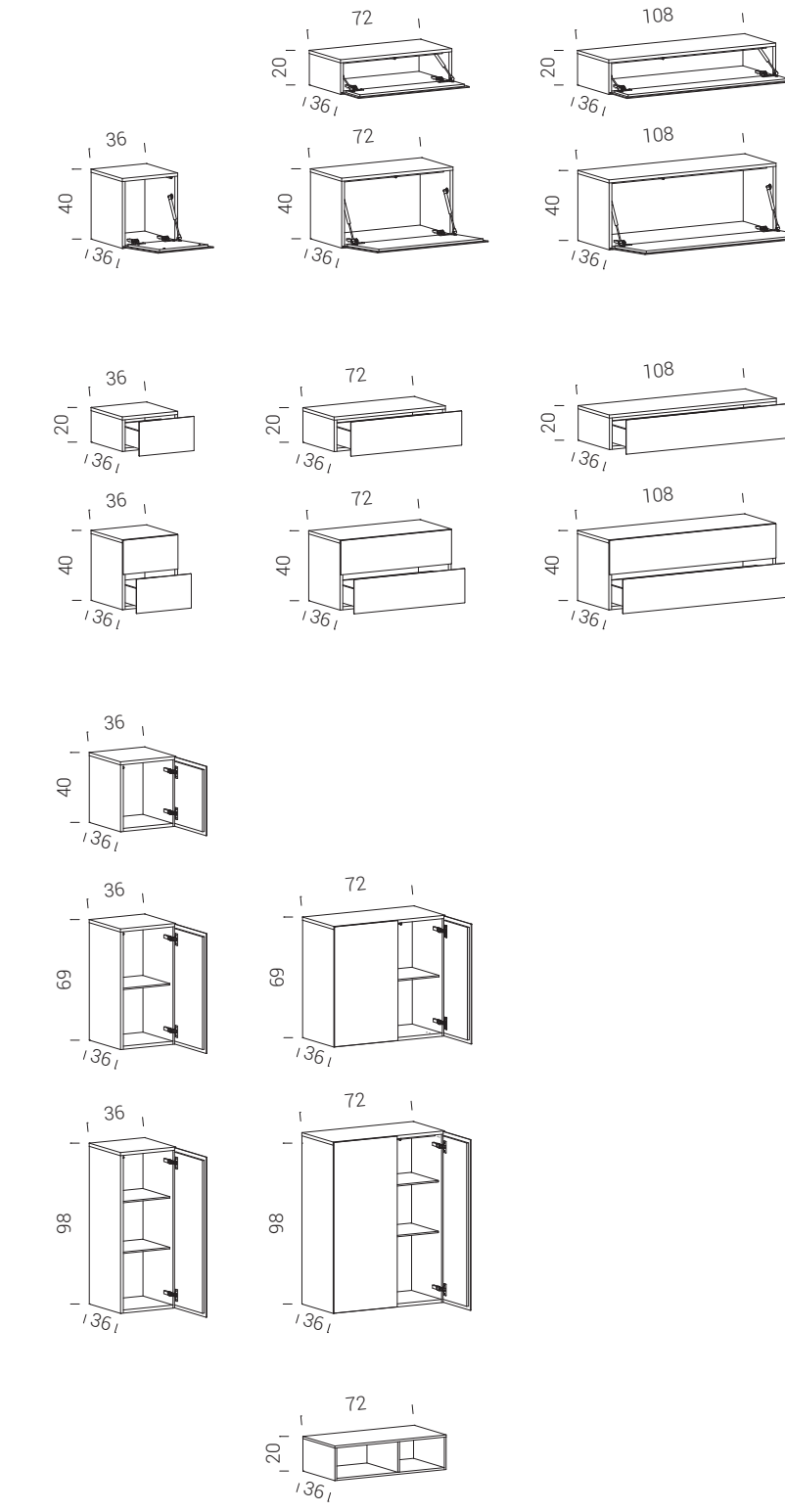
frontale in vetro temprato  
door front in tempered glass  
face da la porte in verre trempé  
Front der Tür aus Temperglas  
frontal de la puerta de cristal templado

frontale in hpl  
door front in hpl  
face da la porte in hpl  
Front der Tür aus Hpl  
frontal de la puerta de hpl

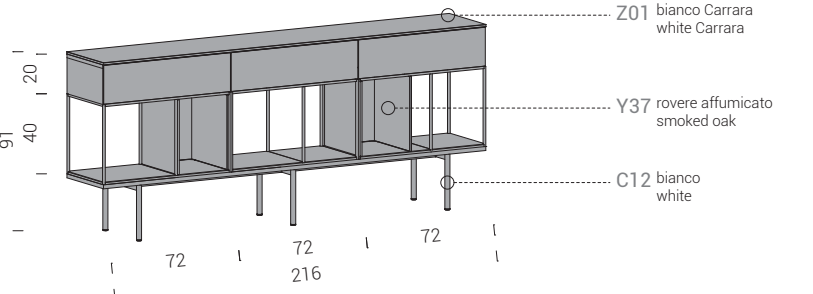
- laccato lacquered  
laqué  
lackiert  
lacado
- Q05** bianco white
  - Q16** seta silk
  - Q17** corda ecru
  - Q20** grigio ombra Umbra grey
  - Q14** antracite anthracite
  - Q04** nero black
  - Q21** bronzo bronze

- hpl + legno wood  
bois  
Holz  
madera
- Y37** rovere affumicato smoked oak
- Y38** rovere nero black oak

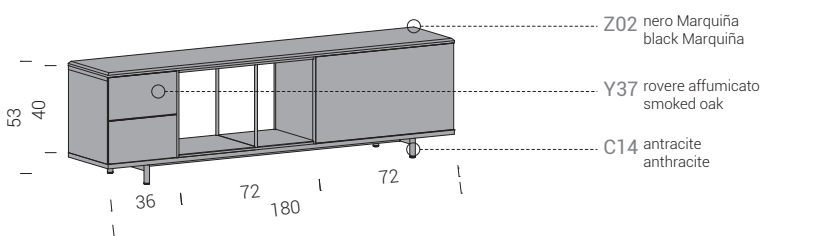
## configurazioni / configurations



2970,00 €  
(prelist vat excluded)



2120,00 € + (marble) 750 €  
(prelist vat excluded) (prelist vat excluded)

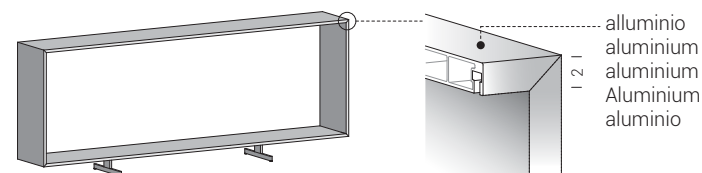


1460,00 € + (marble) 690 €  
(prelist vat excluded) (prelist vat excluded)

# MONOLITH

## finiture / finishes

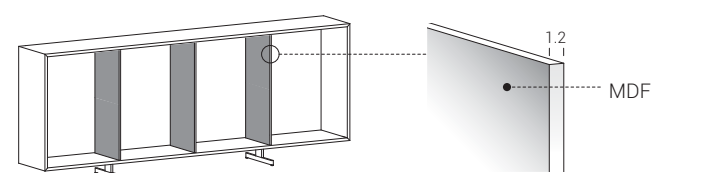
### scocche / shells / cadres / Gehäuse / estructuras



alluminio  
aluminium  
Aluminium  
aluminio

verniciatura a polveri powder coating peinture en poudres Pulverlackierung pintura en polvo	C12 bianco white	C14 antracite anthracite
	C21 seta silk	C08 nero black
	C23 corda ecru	C29 bronzo bronze
	C30 grigio ombra Umбра grey	

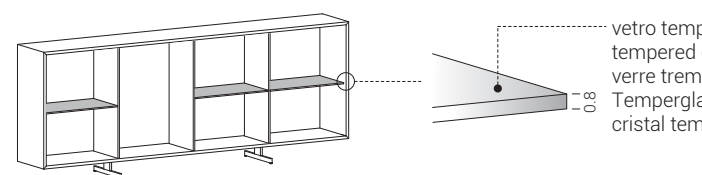
### fianchi interni / inner sides / côtés internes / Innenseiten / paredes interiores



MDF

laccato lacquered laqué lackiert lacado	Q05 bianco white	Q14 antracite anthracite
	Q16 seta silk	Q04 nero black
	Q17 corda ecru	Q21 bronzo bronze
	Q20 grigio ombra Umбра grey	

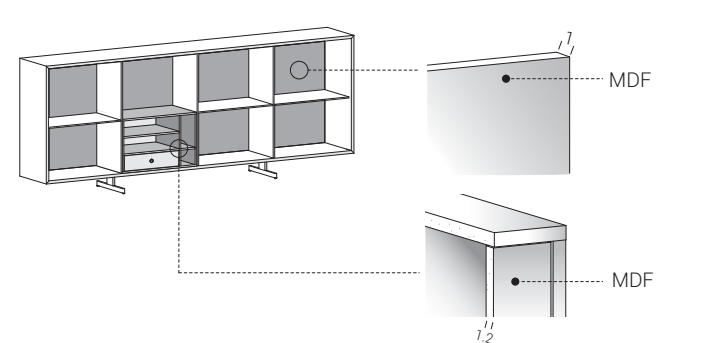
### ripiani interni / inner shelving / étagères internes / Innenböden / estantes interiores



vetro temprato  
tempered glass  
verre trempé  
Temperglas  
cristal templado

laccato lacquered laqué lackiert lacado	V01 bianco white	V12 antracite anthracite	trasparente transparent transparent transparente	V07 float
	V15 seta silk	V02 nero black		V06 nero trasparente transparent black
	V16 corda ecru	V24 bronzo bronze		V21 bronzo trasparente transparent bronze
	V23 grigio ombra Umбра grey			

### schiene e accessori / backs and accessories / dos et accessoires / Rückwände und Zubehörteile / traseras y accesorios

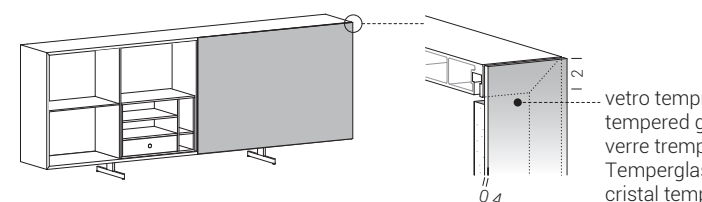


MDF

MDF

laccato lacquered laqué lackiert lacado	Q05 bianco white	Q14 antracite anthracite	legno wood bois Holz madera	Y36 rovere oak
	Q16 seta silk	Q04 nero black		Y35 noce walnut
	Q17 corda ecru	Q21 bronzo bronze		
	Q20 grigio ombra Umбра grey			

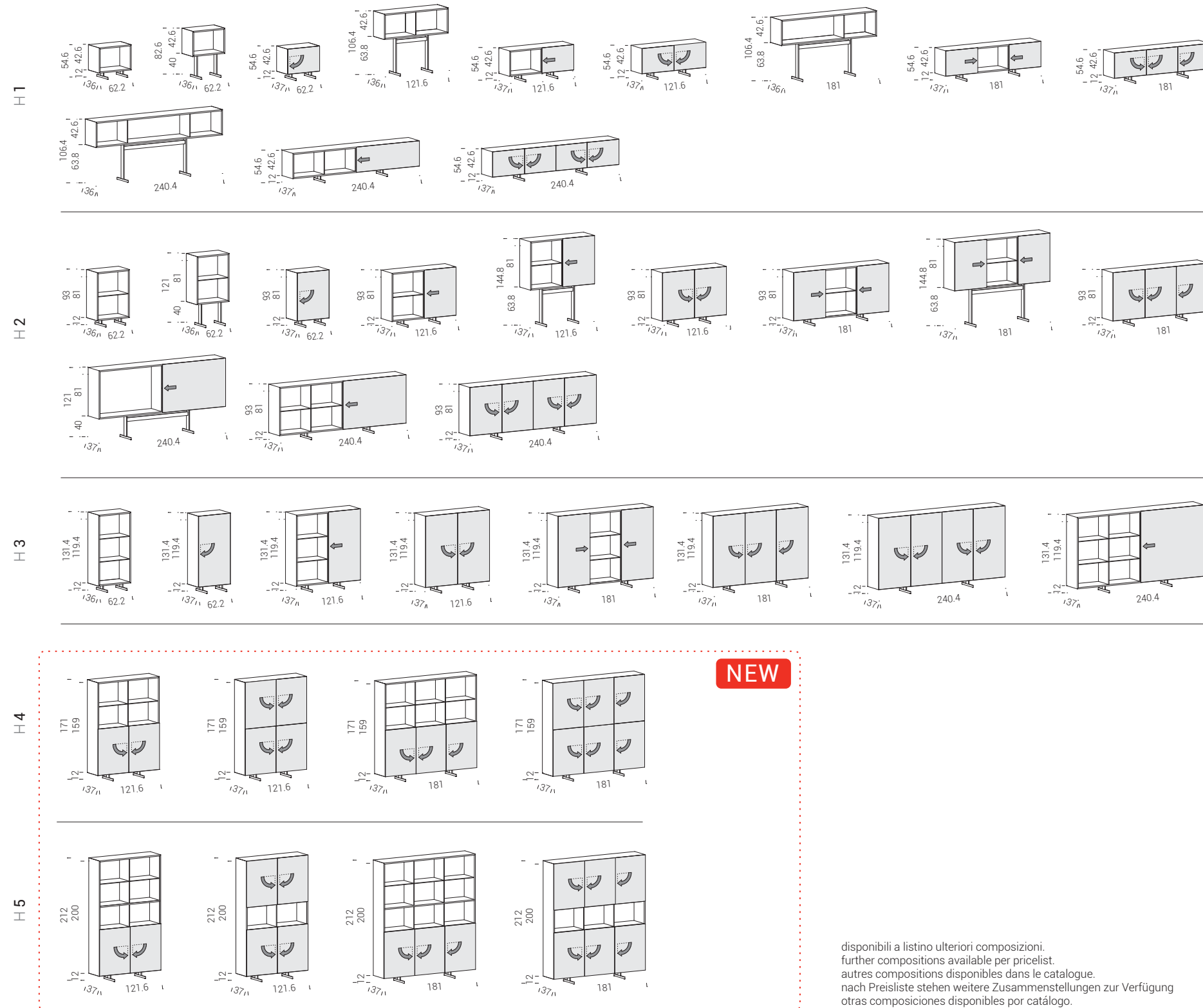
### frontali / doors fronts / faces des portes / Fronten der Türen / frontales de las puertas



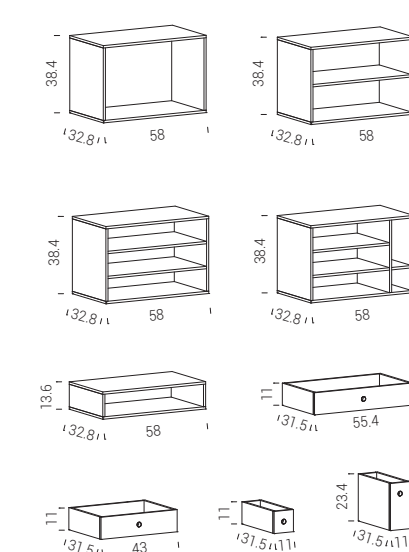
vetro temprato  
tempered glass  
verre trempé  
Temperglas  
cristal templado

laccato lacquered laqué lackiert lacado	V01 bianco white	V12 antracite anthracite	trasparente transparent transparent transparente	V06 nero trasparente transparent black
	V15 seta silk	V02 nero black		V21 bronzo trasparente transparent bronze
	V16 corda ecru	V24 bronzo bronze		
	V23 grigio ombra Umбра grey			

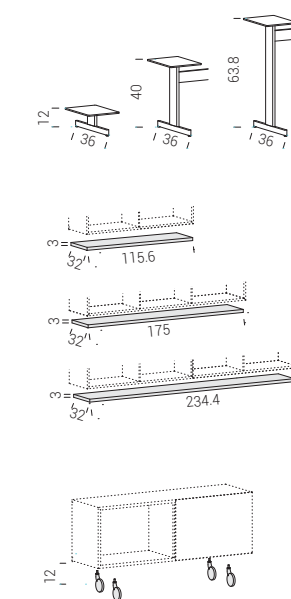
## configurazioni / configurations



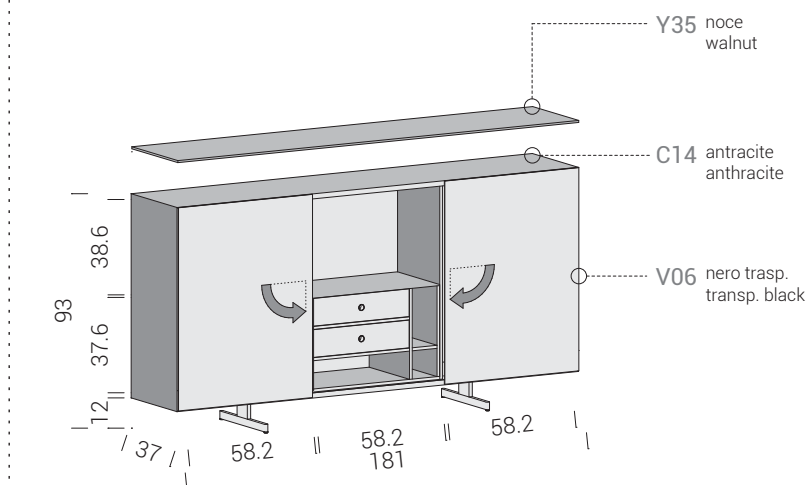
### accessori / accessories / accessoires Zubehör / accesorios



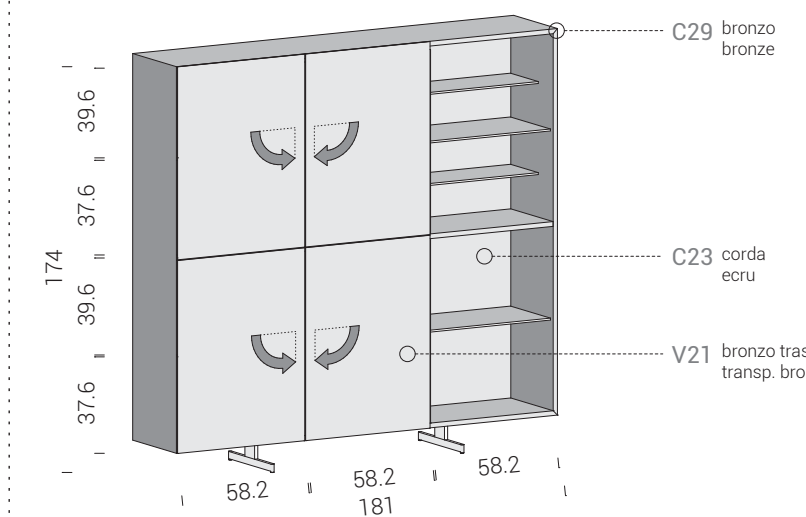
### basi / bases / bases / Basis / bases



disponibili a listino ulteriori composizioni.  
further compositions available per pricelist.  
autres compositions disponibles dans le catalogue.  
nach Preisliste stehen weitere Zusammenstellungen zur Verfügung  
otras composiciones disponibles por catálogo.



3524,00 €  
(pricelist vat excluded)



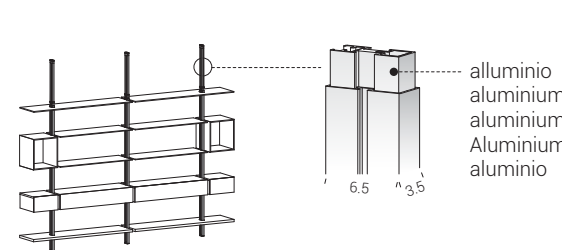
4460,00 €  
(pricelist vat excluded)



# SYSTEM

## finiture / finishes

extendo

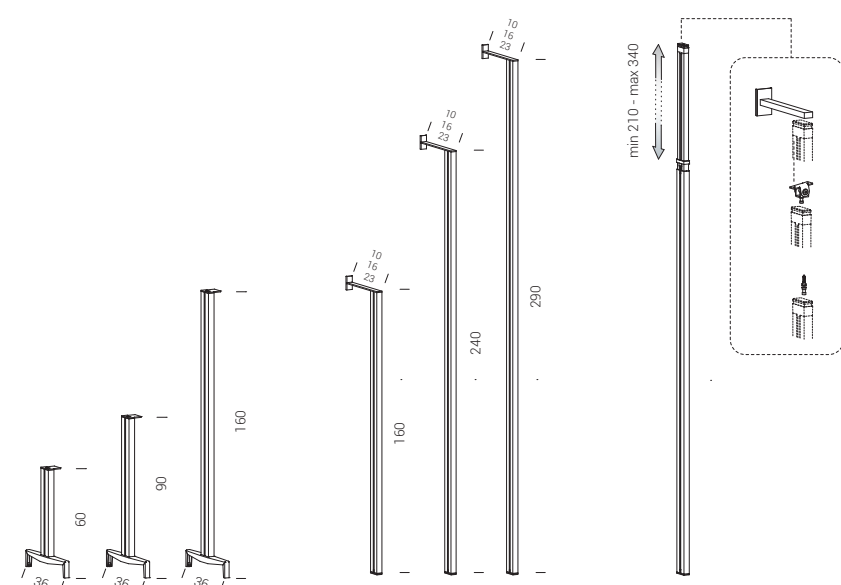


verniciatura a polveri  
powder coating  
peinture en poudres  
Pulverlackierung  
pintura en polvo

- C12 bianco white
- C21 seta silk
- C30 grigio ombra Umbra grey
- C08 nero black

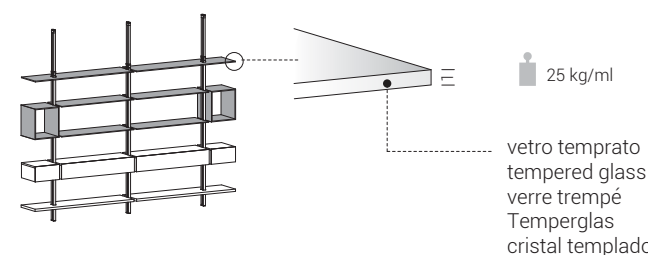
alluminio  
aluminium  
aluminium  
Aluminium  
aluminio

## dimensioni / dimensions



## finiture / finishes

ripiani / shelves / étagères / Böden / estantes

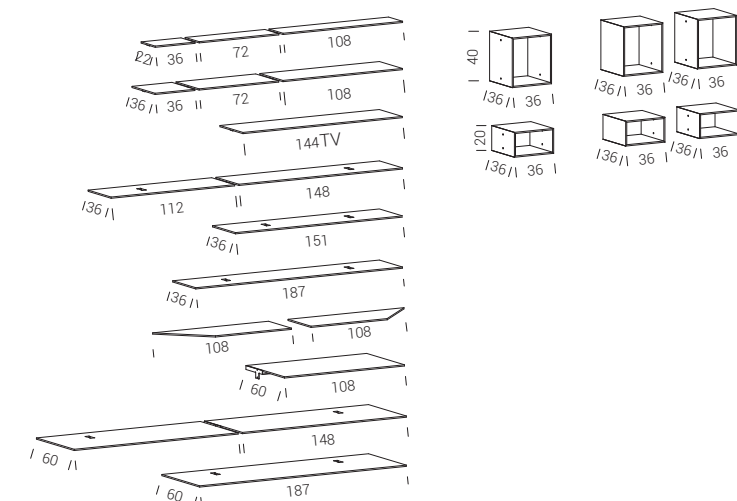


- laccato  
lacquered  
laqué  
lackiert  
lacado
- V01 bianco white
  - V15 seta silk
  - V16 corda ecru
  - V23 grigio ombra Umbra grey
  - V12 antracite anthracite
  - V02 nero black
  - V24 bronzo bronze
  - V06 nero trasparente transparent black

25 kg/ml

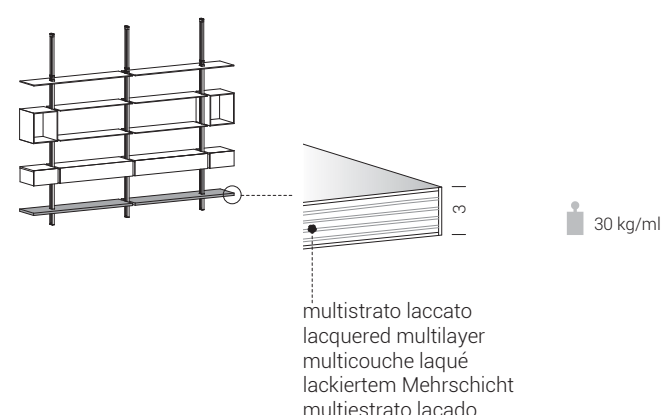
vetro temprato  
tempered glass  
verre trempé  
Temperglas  
cristal templado

## dimensioni / dimensions



riduzione a misura ripiani / shelf reductions to measure / réduction sur mesure étagères  
Verkürzung nach Maß für Böden / reducción de estantes a medida

ripiani / shelves / étagères / Böden / estantes

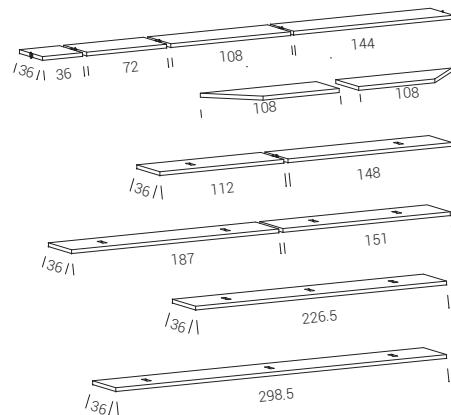


laccato  
lacquered  
laqué  
lackiert  
lacado

- Q05 bianco white
- Q16 seta silk
- Q17 corda ecru
- Q20 grigio ombra Umbra grey
- Q14 antracite anthracite
- Q04 nero black
- Q21 bronzo bronze

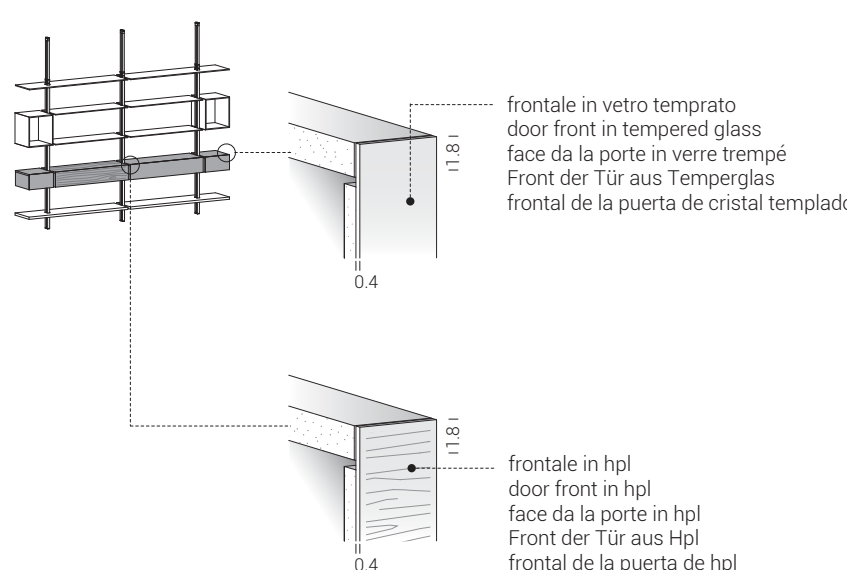
30 kg/ml

multistrato laccato  
lacquered multilayer  
multicouche laqué  
lackiertem Mehrschicht  
multiestrato lacado



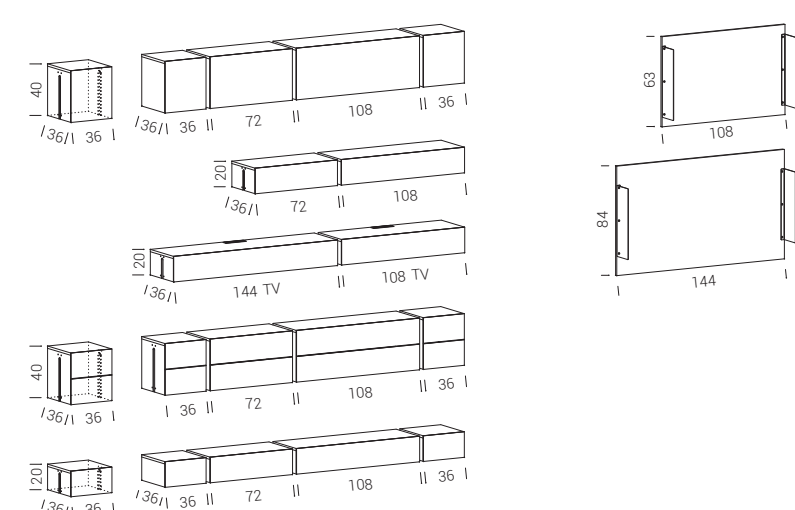
riduzione a misura ripiani / shelf reductions to measure / réduction sur mesure étagères  
Verkürzung nach Maß für Böden / reducción de estantes a medida

contenitori / cabinets / modules de rangement / Behälter / contenedores

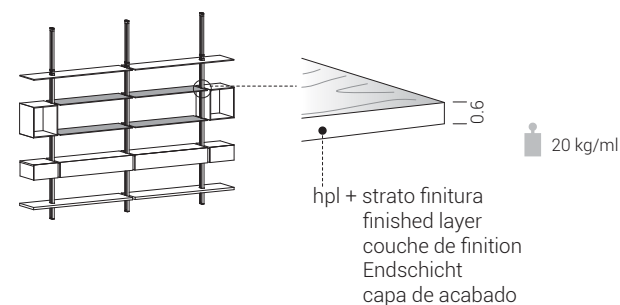


- laccato  
lacquered  
laqué  
lackiert  
lacado
- Q05 bianco white
  - Q16 seta silk
  - Q17 corda ecru
  - Q20 grigio ombra Umbra grey
  - Q14 antracite anthracite
  - Q04 nero black
  - Q21 bronzo bronze

- hpl + legno/wood  
bois/Holz  
madera
- Y37 rovere affumicato smoked oak
  - Y38 rovere nero black oak



ripiani / shelves / étagères / Böden / estantes

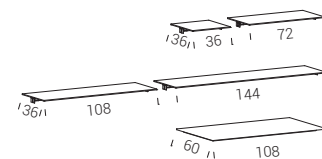


- hpl
- L03 bianco white
  - L08 grigio Londra London grey
  - L06 nero black

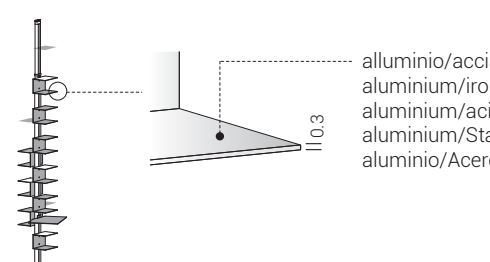
- hpl + legno/wood  
bois/Holz  
madera
- Y37 rovere affumicato smoked oak
  - Y38 rovere nero black oak

- laccato  
lacquered  
laqué  
lackiert  
lacado
- Q05 bianco white
  - Q16 seta silk
  - Q17 corda ecru
  - Q20 grigio ombra Umbra grey
  - Q14 antracite anthracite
  - Q04 nero black
  - Q21 bronzo bronze

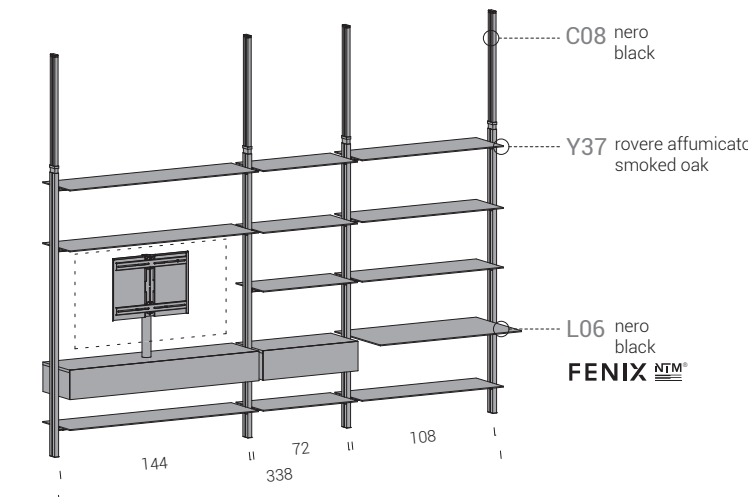
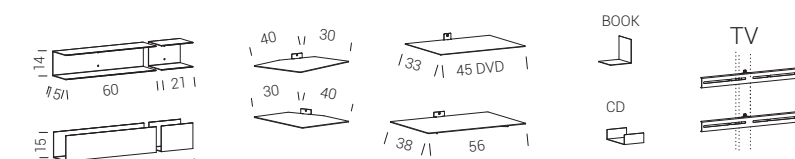
NEW



accessori / accessories / accessoires / Zubehör / accesorios



- verniciatura a polveri  
powder coating  
peinture en poudres  
Pulverlackierung  
pintura en polvo
- C12 bianco white
  - C21 seta silk
  - C30 grigio ombra Umbra grey
  - C08 nero black



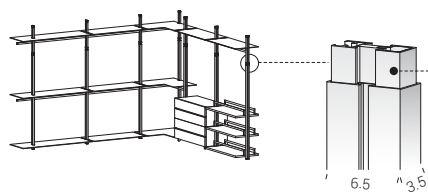
4787,00 €  
(pricelist vat excluded)

FENIX

# PERSONAL

## finiture / finishes

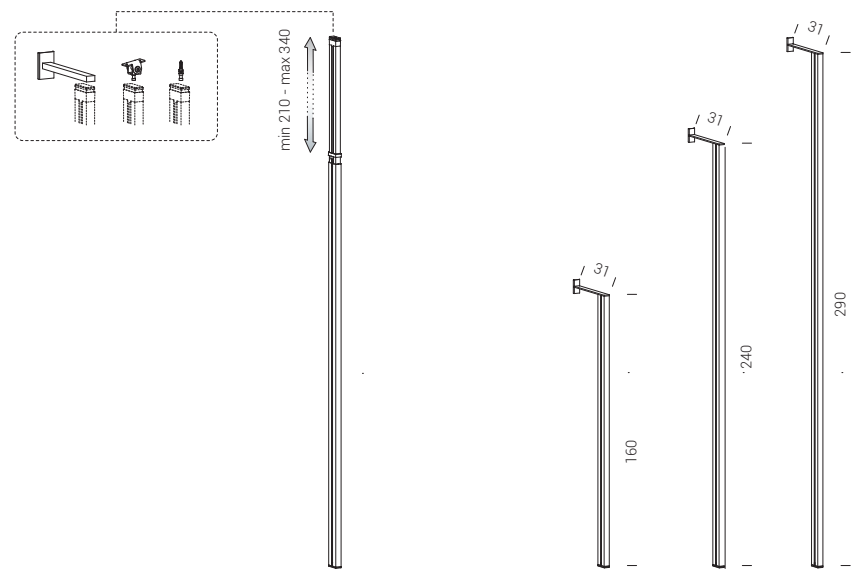
extendo



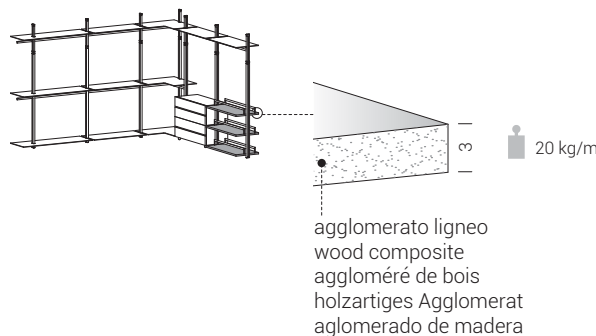
alluminio  
aluminium  
aluminium  
aluminio

verniciatura a polveri powder coating peinture en poudres Pulverlackierung pintura en polvo		<b>C12</b> bianco white
		<b>C21</b> seta silk
		<b>C30</b> grigio ombra Umbr grey
		<b>C08</b> nero black

## dimensioni / dimensions

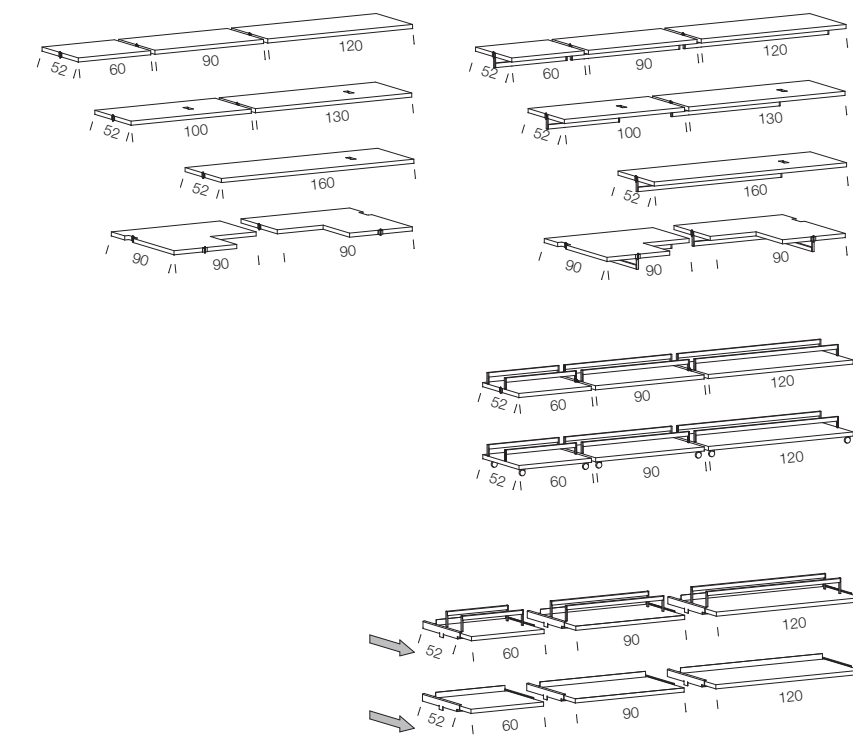


ripiani / shelves / étagères / Böden / estantes



laccato lacquered laqué lackiert lacado		<b>Q05</b> bianco white
		<b>Q16</b> seta silk
		<b>Q17</b> corda ecru
		<b>Q20</b> grigio ombra Umbr grey
		<b>Q04</b> nero black

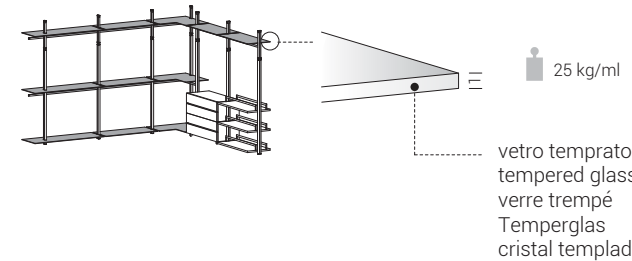
melaminico melamine mélaminé Melamin melamina		<b>M03</b> bianco white
		<b>M02</b> rovere moka moka oak



riduzione a misura ripiani / shelf reductions to measure / réduction sur mesure étagères  
Verkürzung nach Maß für Böden / reducción de estantes a medida

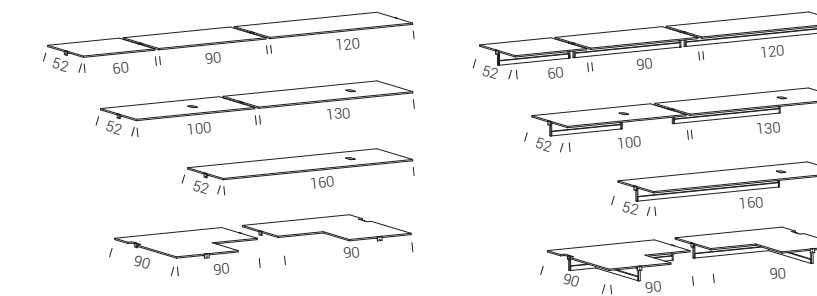
## finiture / finishes

ripiani / shelves / étagères / Böden / estantes



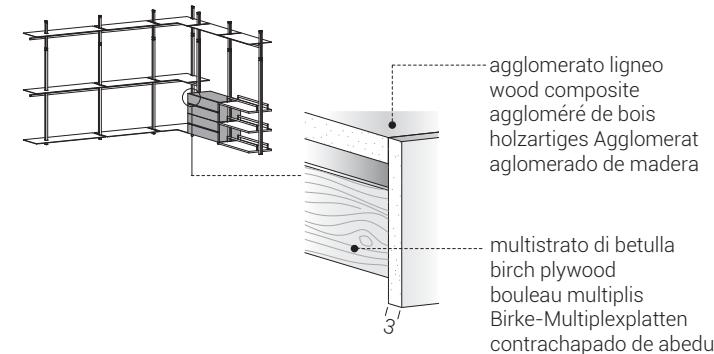
laccato lacquered laqué lackiert lacado		<b>V01</b> bianco white
		<b>V15</b> seta silk
		<b>V16</b> corda ecru
		<b>V23</b> grigio ombra Umbr grey
		<b>V02</b> nero black
		<b>V06</b> nero trasparente transparent black

## dimensioni / dimensions



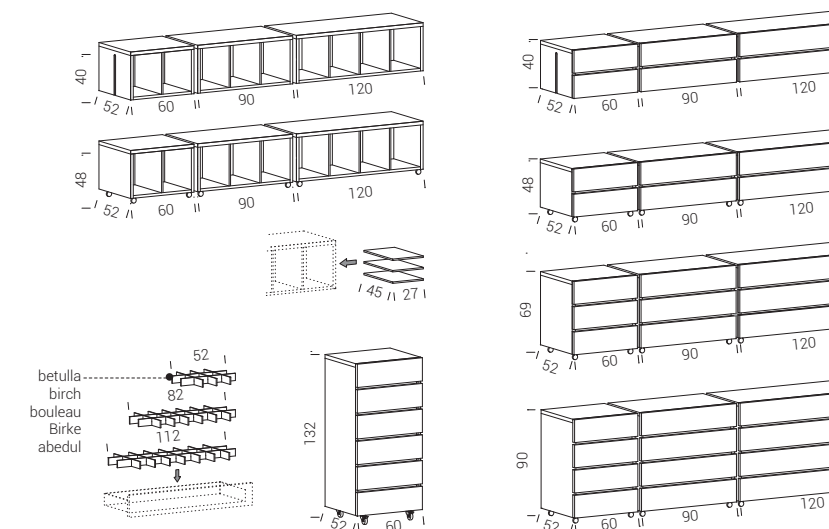
riduzione a misura ripiani / shelf reductions to measure / réduction sur mesure étagères  
Verkürzung nach Maß für Böden / reducción de estantes a medida

contenitori / cabinets / modules de rangement / Behälter / contenedores

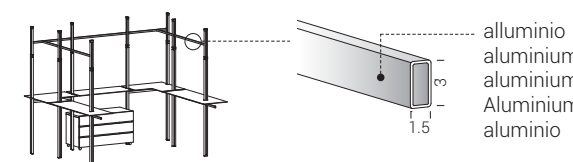


laccato lacquered laqué lackiert lacado		<b>Q05</b> bianco white
		<b>Q16</b> seta silk
		<b>Q17</b> corda ecru
		<b>Q20</b> grigio ombra Umbr grey
		<b>Q04</b> nero black

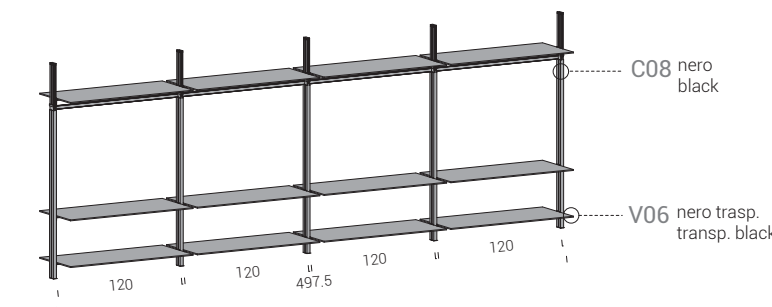
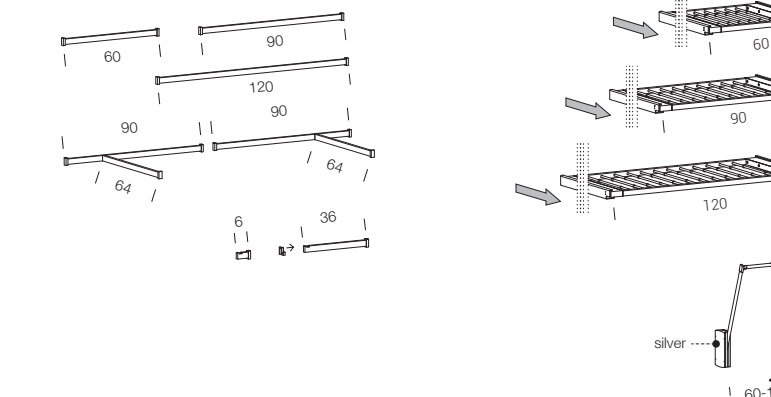
melaminico melamine mélaminé Melamin melamina		<b>M03</b> bianco white
		<b>M02</b> rovere moka moka oak



accessori / accessories / accessoires / Zubehör / accesorios



verniciatura a polveri powder coating peinture en poudres Pulverlackierung pintura en polvo		<b>C12</b> bianco white
		<b>C21</b> seta silk
		<b>C30</b> grigio ombra Umbr grey
		<b>C08</b> nero black



**3330,00 €**  
(pricelist vat excluded)